

ND32 ATCO™ Airline Flanged Ball Valve - AF3X

The Perolo ND32 ATCO™ ball valve is designed to be used as an air inlet or as a fluid inlet/outlet valve.



Specifications

| | |
|-------------------------|-----------------------------------------------------------|
| Nominal diameter | 32mm (1"1/4) |
| Weight | 3.5 Kg |
| Inlet flange drilling | 4 holes x $\varnothing 11$ x 103.5 PCD |
| Outlet flange drilling | 4 slotted holes $\varnothing 18$ x min 98.4 PCD (ISO9669) |
| Working Pressure (MAWP) | 7 Bar |
| Test Pressure | 10 Bar |
| Working Temperature | -40° to +130°C |

Features

| | |
|---------------------|---------------------|
| Made of (material) | 316 / 1.4408 / CF8M |
| Compact design | Face to face 78 mm |
| Maintenance | Easy filter change |
| Handling operation | 1/4 turn |
| Ball seals material | PTFE |

Options

| | |
|------------------------------------------|-----------------------------------------------------|
| Custom Drilling | on request |
| HALAR coating & Hastelloy internal parts | on request |
| Filter | with or without |
| Gauge connection and gauge guard | with or without |
| Gauze | with or without |
| Pneumatic operating | Serie AG3X Ball Valve |
| Remote control system | with or without |
| High Temperature Version | on request (working temperature: -40° to +250°C) |

Conformity & Certifications

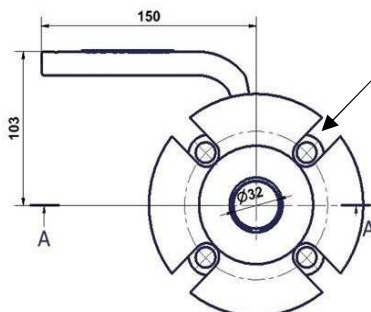
| | |
|-------------|----------------------------|
| Comply with | ADR / IMDG / RID / EN14432 |
| Approved by | Bureau Veritas |

Accessories

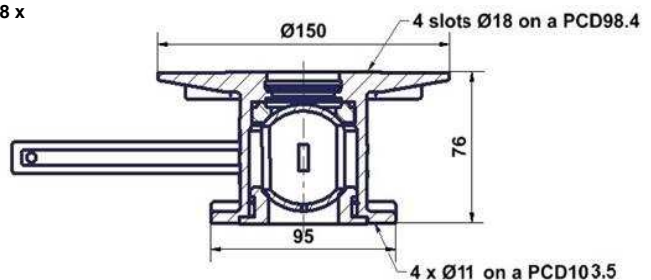
Part n°

| | |
|--------------------------------------|------------------|
| Weld-in flange | 11 90 20 00 00 |
| Recess flange | 11 91 12 00 00 |
| Blind flange | 11 95 87 00 00 |
| Bolting Kit | 17 12 10 95 00 |
| Screw kit | 12 91 99 00 00 |
| Seal | 12 91 90 00 00 |
| Filter | 11 14 01 95 00 |
| Remote control with cable | RMT33 (3 meters) |
| <i>Other cable lenght on request</i> | |
| Remote control handle | 11 14 15 92 00 |
| Pressure gauge | 70 21 02 00 22 |

Drawing



Drilling: 4 slotted holes x $\varnothing 18$ x minimum 98.4 PCD



ND32 ATCO™ Airline Flanged Ball Valve - AF3X

AIRLINE

Codification

1. Base code

AF3X7T ? ? ? ? ? ?

2. Inlet flange drilling

4 x Ø10.5 x 103.5 PCD

2 →

3. Outlet flange drilling

4 x M16 x 98.4 PCD - ANSI 150
4 slots x Ø18 x 98.4 PCD - ISO 9669
4 x M16 x 110 PCD - ISO PN16
4 holes x Ø18 x 110 PCD - ISO PN 16

4
5
8
9 →

4. Filter

without
with

S
P →

5. Gauge connection

1/4" BSP gauge connection

2 →

6. Gauge protection

without
with

1
2 →

Standard Part Number

AF3X7T 2 5 S 2 1