

4" mechanical "CHEMFLOW" footvalve

Installation sheet

INSTALLATION

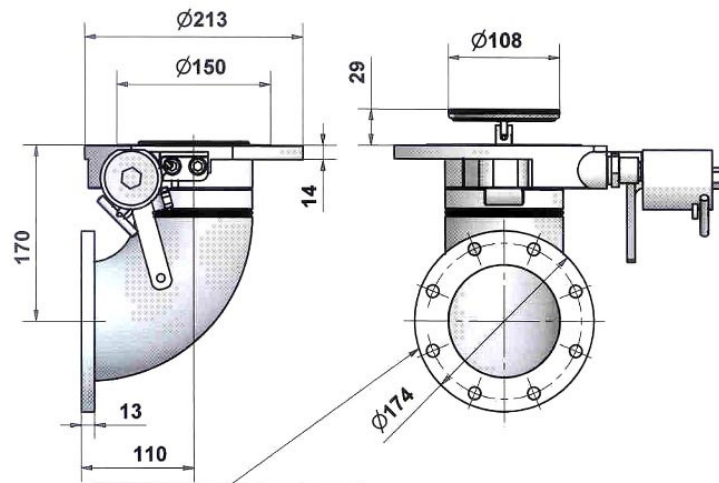
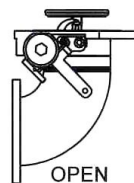
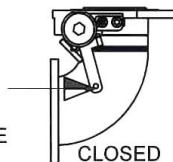
Store "CHEMFLOW" safety footvalve original packaging safe from dust and chocks.
 The leak proof face of the connection is machined with a rounded bottom spiral groove (stock finish).
 The mounting flange must be machined in identical or similar fashion.

ASSEMBLY

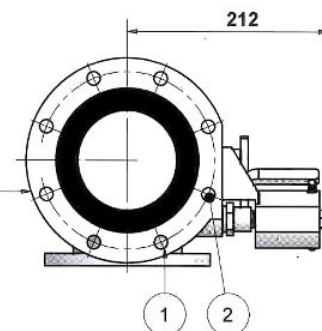
Make sure no dirt or grit has remained on the receiving flange and gasket.
 Screw the studs into the tank container flange (to the shortest threading side).
 Be careful in respecting the longest studs positioning in **1** and **2**.
 Ensure that the three flanges are out of defects, and then fit the PTFE envelope gasket.
 Fit the "CHEMFLOW" foot valve in position and, start to screw the nuts onto the studs **1** and **2**.
 Tighten then the studs and nuts symmetrically with a maximum torque of 5 daN.m

1. Screw the studs into the tank container flange (to the shortest threading side). Be careful in respecting the longest studs positioning in **1** and **2**.
2. Ensure that the tank weld in pad, and the two other footvalve flanges are out of defects, and then fit the synthetic fiber / PTFE envelope gasket.
3. Fit the "CHEMFLOW" footvalve in position and, start to screw the nuts onto the studs **1** and **2**.
4. Tighten then the studs and nuts symmetrically with a maximum torque of 5

FOR OPEN
 PUSH WITH ROD
 OR PULL WITH CABLE



WITH OR WITHOUT
 OUTLET FLANGE
 8 holes Ø 12 equi-spaced
 on a 150 PCD(out of axis)



INLET FLANGE
 8 holes Ø 14 equi-spaced
 on a 184.2mm or 190mm
 PCD(out of axis)

ACCESSORIES

Description	PART N°
Tank weld in flange	17.11.03.90.01
Outlet flange gasket	17.11.03.90.02
Screw set	17.11.03.92.00
Heated flange	11.90.33.00.00