

# 3" "CHEMFLY"™ butterfly valve

## Installation sheet

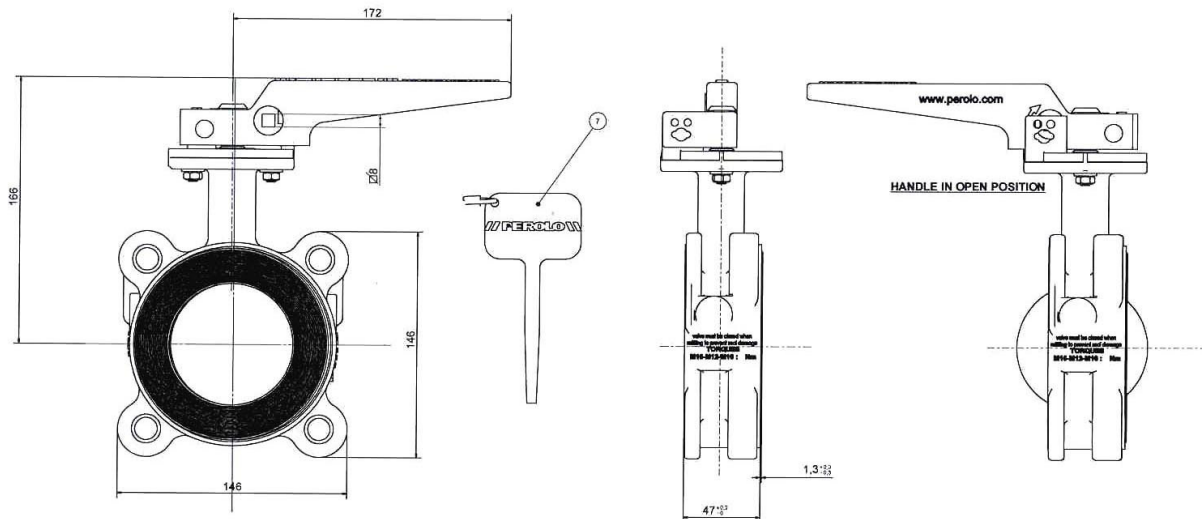
3" "CHEMFLY"™ butterfly valve

### INSTALLATION

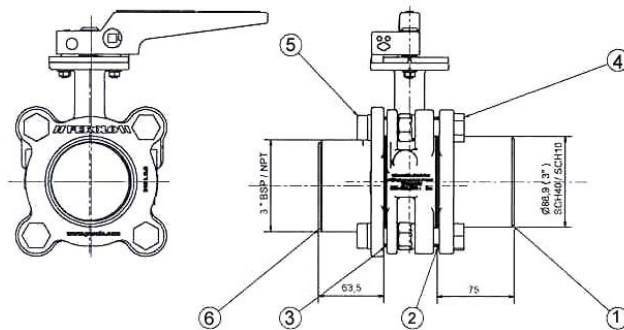
The leakproof faces of the valve are machined with a rounded bottom spiral groove (stock finish). The mounting flange must be machined in identical or similar fashion.

### ASSEMBLY

- Make sure no dirt or grit has remained on the receiving flange and gasket.
- Minimum clam bolts torque is 3m.daN.m
- In order to avoid any damage caused to the valve seat when doing the equipment assembly, ensure the butterfly is in the closed position.  
Valves must be centrally adjusted before campling



### ACCESSORIES



Rep	Description	Part N°
1	3" inlet adaptator sch 40	17.12.10.96.00
	3" inlet adaptator sch 10	17.12.10.97.00
2	jacketed gasket inlet adaptator	17.12.10.98.00
3	jacketed gasket outlet	17.12.10.99.00
4	bolting kit inlet	17.12.10.95.00
	bolting kit inlet (for keystone)	17.12.10.99.02
5	bolting kit outlet	17.12.10.91.00
6	BSP outlet	17.12.10.90.00
	NPT outlet	17.12.10.93.00
7	handle locking key	17.12.01.30.00