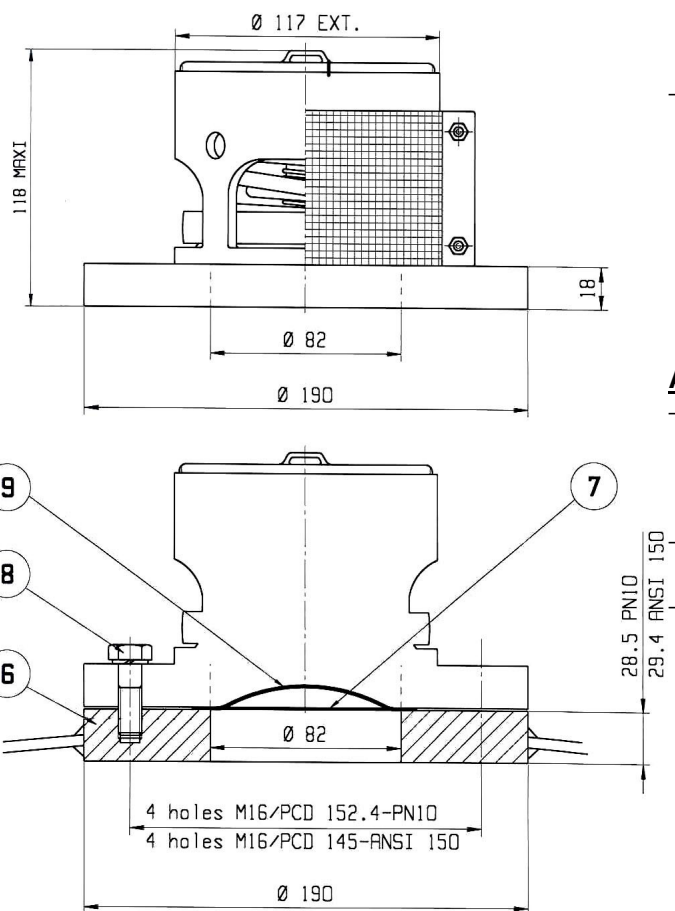


3" "Méga-SUPERVENTIX"TM HIGHFLOW flanged safety relief valve

Installation sheet



INSTALLATION

- Store "Méga-SUPERVENTIX" highflow safety relief vent valve in original packaging safe from dust and chocks.
- The leakproof face of the valve is machined with a rounded bottom spiral groove (STOCK FINISH). The mounting flange must be machined in identical or similar fashion.

ASSEMBLY

- Make sure the "Méga-SUPERVENTIX" highflow safety relief vent valve is compatible with the working pressure of the tank.
- Check no dirt or grit has remained on the receiving flange and gasket.
- Tightening torque required : 8 to 10 daN.m (spanner size 24)

ACCESSORIES

Rep	Description	PART N°
6	Tank weld in flange AISI 316 PN 10	11 90 15 00 00
	Tank weld-in flange – AISI 316 .ANSI 150	12 92 03 00 00
7	Gasket for assembly without bursting disc	12 92 04 00 00
8	Screw set	11 10 09 91 00
9	Bursting disc ND 80	On request