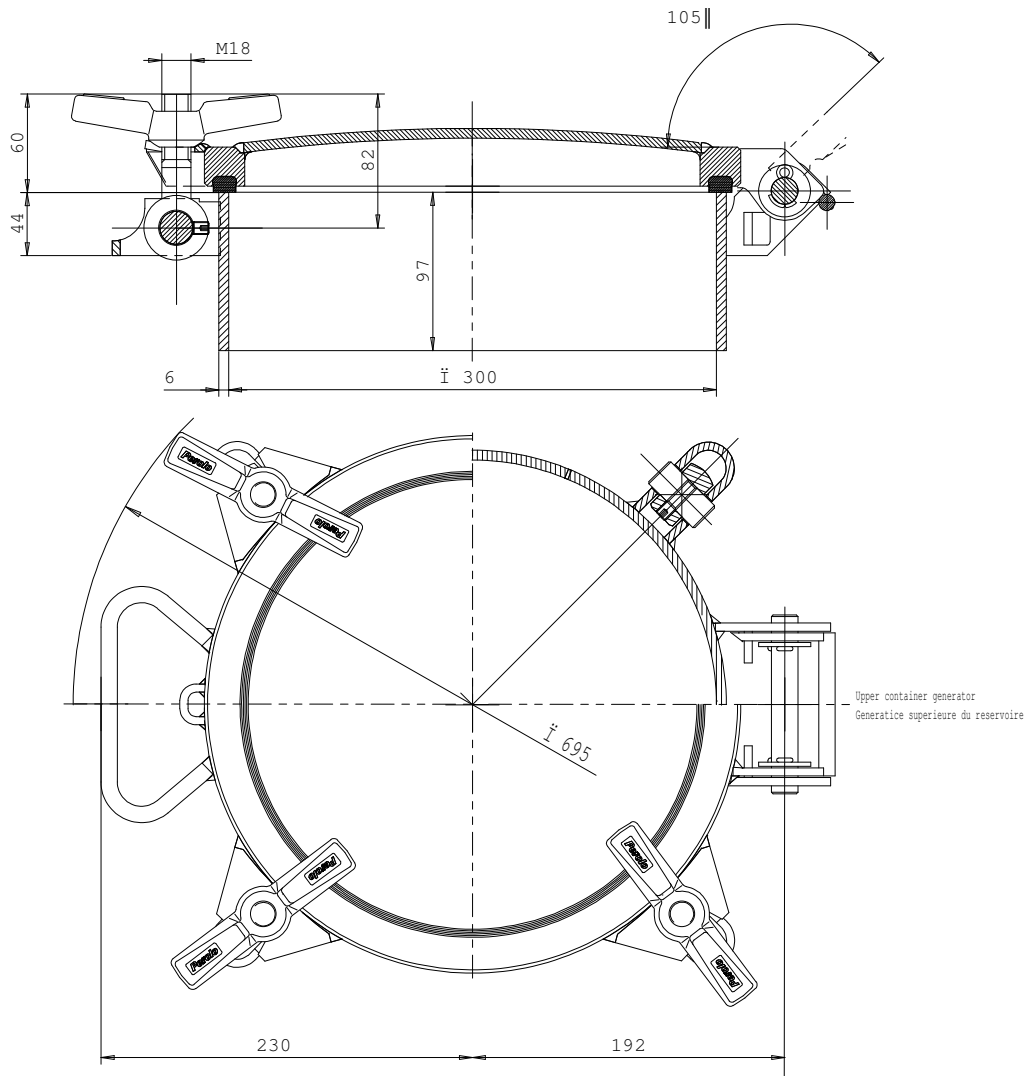


INSTALLATION

- Carefully weld the manlid on the tank to avoid neckring seal face distortion.
- Check the neckring is clean (no weld spits)
- When tightening bolts are delivered separately check the stop washer installed under the screw head on every bolt.



ACCESSORIES

GASKET FOR "MULTIDO" MANLID			
Material	Sweet white rubber	VITON with PTFE braided	Synthetic PTFE
Code	on request	12.13.58.30.01	on request