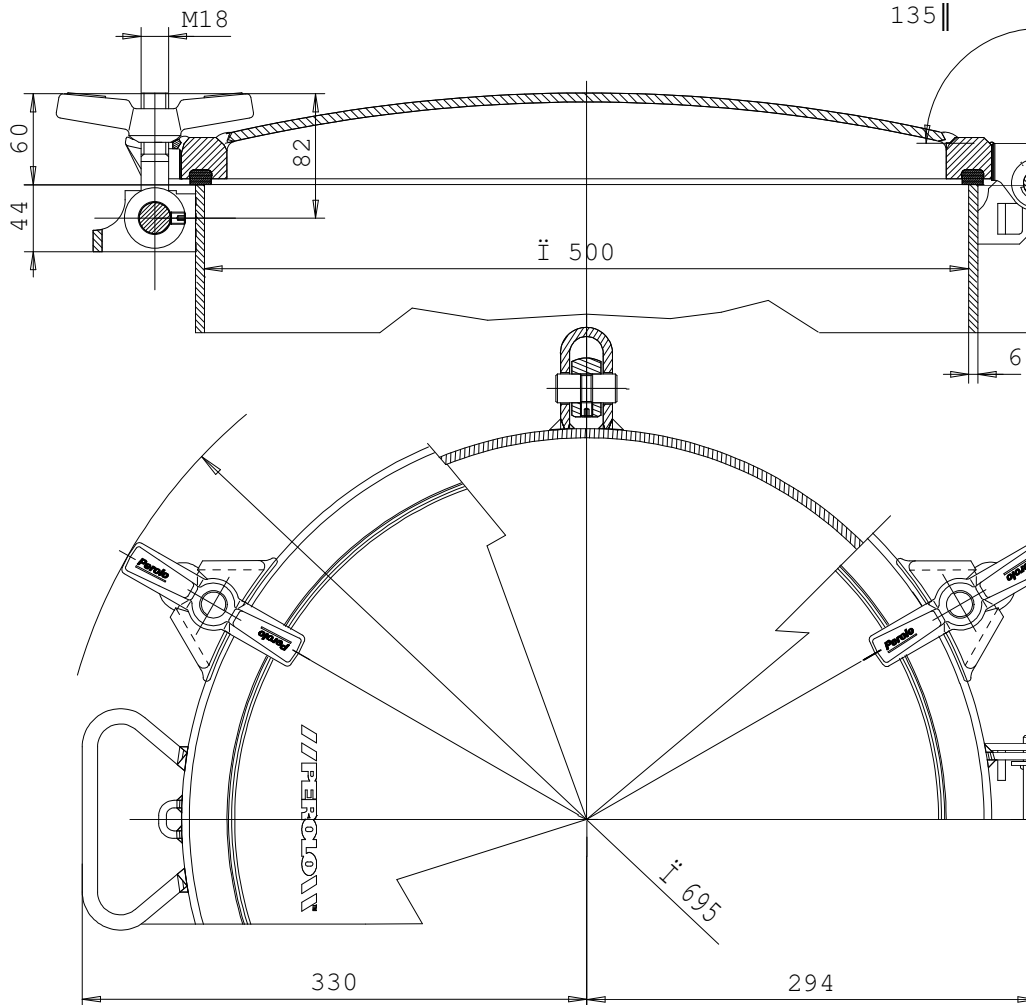


### INSTALLATION

- Carefully weld the manlid on the tank to avoid neckring seal face distortion
- Check the neckring is clean (no weld spits)
- When tightening bolts are delivered separately check the stop washer is installed under the screw head on every bolt



### ACCESSORIES

GASKET FOR "MULTIDO" MANLID			
Material	Sweet white rubber	VITON with PTFE braided	Synthetic PTFE
Code	12.13.53.00.06	12.13.53.00.07	JT.20. PTFE