

# 3" BOTTOM DISCHARGE with "NEATCO" footvalve Installation sheet

## INSTALLATION

The leakproof face of the connection is machined with a rounded bottom spiral groove (stock finish). The mounting flange must be machined in identical or similar fashion rep.A.

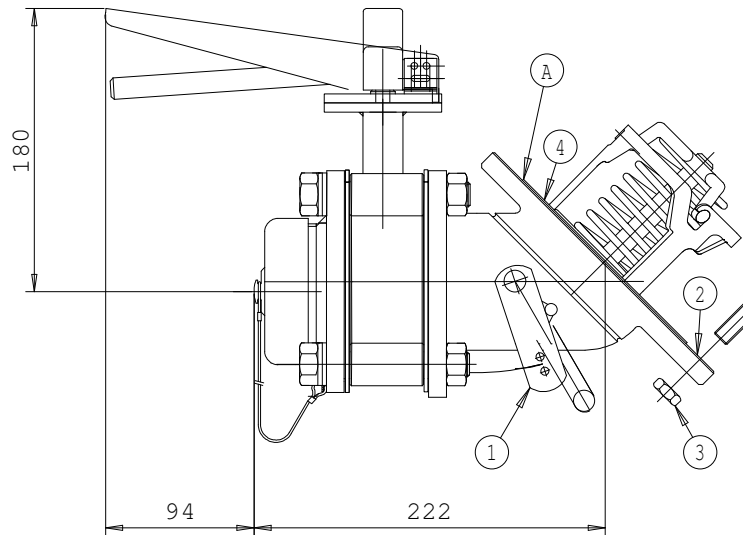
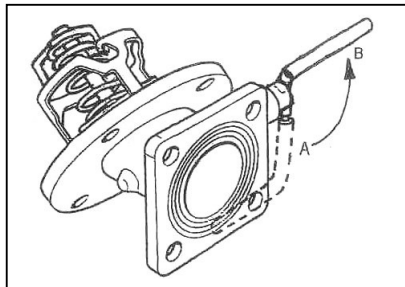
## ASSEMBLY

Make sure no dirt or grit has remained on the receiving flange and gasket.

Tightening torque required : 6 daN.m (for 8 holes)  
14 daN.m (for 4 holes)

For packaging reasons,  
the operating lever is  
placed in position A.

It must be removed and  
reinstalled to get the  
position B when footvalve  
is in open position



## ACCESSORIES

ITEM	DESCRIPTION	PART N°
1	Remote control cable	12 85 62 00 00
2	Tank weld-in flange for 8 holes (45°)	12 91 18 00 00
	Tank weld in flange for 4 holes (30°)	12 91 19 00 00
3	Screw set for 8 holes (45°)	12 91 26 00 00
	Screw set for 4 holes (30°)	12 91 24 00 00
4	Gasket for 45°	12 91 20 00 00
	Gasket for 30°	12 91 50 00 00

All "bottom discharge" components can be ordered separately  
(please refer to individual product sheet)