

3" BOTTOM DISCHARGE with "NEATFLOW" footvalve

Installation sheet

3" BOTTOM DISCHARGE

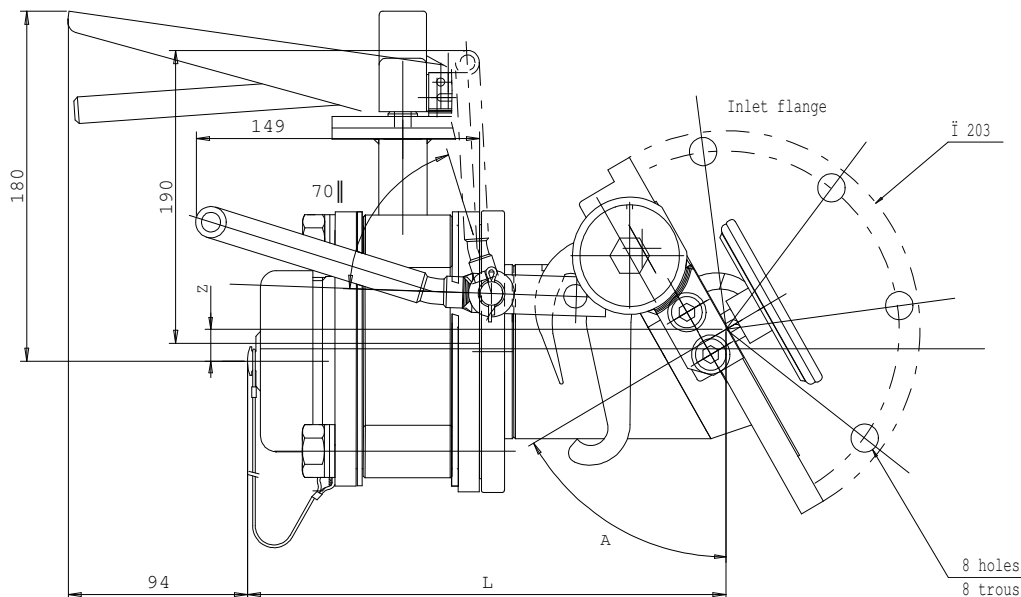
INSTALLATION

The leakproof face of the connection is machined with a rounded bottom spiral groove (stock finish). The mounting flange must be machined in identical or similar fashion rep. A.

ASSEMBLY

Make sure no dirt or grit has remained on the receiving flange and gasket.

- Tightening torque required : 6 daN.m



A	30 45	45
L	238	238
Z	18.5	17.9

ACCESSORIES

ITEM	DESCRIPTION	PART N°
1	Remote control cable	12 85 62 00 00
2	Tank weld-in flange for 8 holes (45°)	12 91 20 00 00
	Tank weld in flange for 8 holes (30°)	11 90 30 00 00
3	Screw set for 8 holes (45°) and (30°)	11 11 27 93 00
4	Outlet flange gasket 45° & 30°	12 91 39 00 00

**All "bottom discharge" components can be ordered separately
(please refer to individual product sheet)**