

INSTALLATION

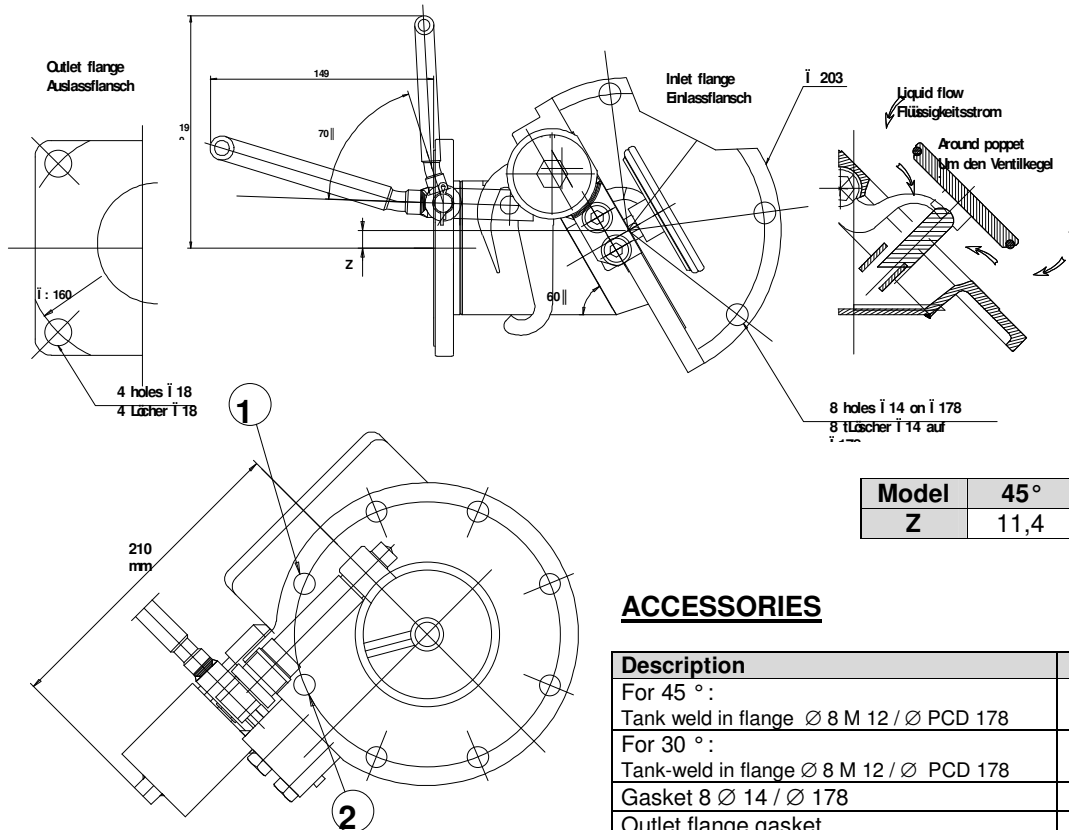
Store "NEATFLOW" safety footvalve original packaging safe from dust and chocks.
The leakproof face of the connection is machined with a rounded bottom spiral groove (stock finish).
The mounting flange must be machined in identical or similar fashion.

ASSEMBLY

Make sure no dirt or grit has remained on the receiving flange and gasket.
Screw the studs into the tank container flange (to the shortest threading side).
Be careful in respecting the longest studs positioning in **1** and **2**.
Ensure that the three flanges are out of defects, and then fit the PTFE envelope gasket.
Fit the "NEATFLOW" footvalve in position and, start to screw the nuts on to the studs **1** and **2**.
Tighten then the studs and nuts symmetrically with a maximum torque of 5 daN.m.

EXTERNAL DIMENSIONS

	Flange tank side	Flange discharge side	L	ND
45°-Model+	Ø 203 – 8 holes x Ø 14 x Ø 178 out of axis	square 144 – 4 x Ø 18 x Ø PCD 160	130	3"
30°-Model	Ø 203 – 8 holes Ø 14 x Ø 178 out of axis	square 144 – 4 x Ø 18 x Ø PCD 160	130	3"



ACCESSORIES

Description	TEIL Nr.
For 45°:	
Tank weld in flange Ø 8 M 12 / Ø PCD 178	12 91 18 00 00
For 30°:	
Tank-weld in flange Ø 8 M 12 / Ø PCD 178	11 90 30 00 00
Gasket 8 Ø 14 / Ø 178	12 91 20 00 00
Outlet flange gasket	12 91 39 00 00
Screw set for 45° or 30°	11 11 27 93 00