

3" "TANKFLY"™ clamped butterfly valve

Installation sheet

3" "TANKFLY"™
clamped butterfly valve

INSTALLATION

The leakproof faces of the valve are machined with a rounded bottom spiral groove (stock finish).
The mounting flange must be machined in identical or similar fashion.

ASSEMBLY

Make sure no dirt or grit has remained on the receiving flange and gasket.
– Tightening torque required : 3 daN.m.

Fitting ancillaries for bottom discharge assembly clamped type "TANKFLY" butterfly valve

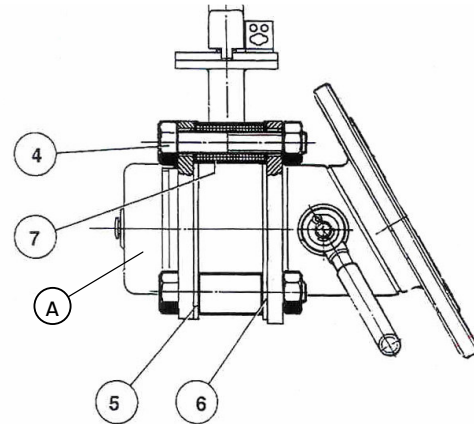
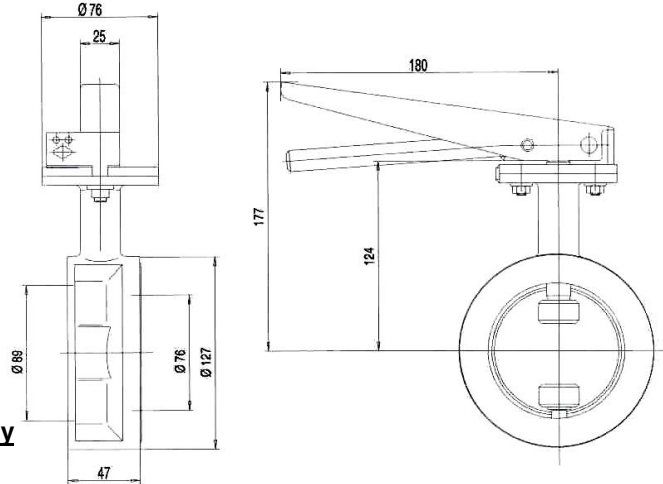
Item	Description	Material	Part N°
4	Bolting kit 4 M16 x 100/38	AISI 304	12 85 84 91 00
5	Downstream jacketed gasket Tankfly outlet flange	Synthetic fibers + PTFE	12 91 42 00 00
6	Upstream jacketed gasket	Synthetic fibers + PTFE	12 91 39 00 00
7	Spacer set M16 bolt	Polyamide	12 85 57 91 00
A	Outlet flange	AISI 316 L	12 85 69 00 00

Gaskets for bottom discharge

Description	Code	Connection
Gasket made from synthetic fibers + nitrile with PTFE envelope	12 91 48 00 00	6 x 14 x 168
	12 91 42 00 00	4 x 18x 160 (OA)
	12 91 39 00 00	4 x 18x 160 (OA)

Fitting ancillaries for top discharge assembly with clamped type "TANKFLY" butterfly valve

Item	Description	Material	Part N°
1	Weld-in flange	AISI 316 L	12 91 41 00 04
2	Jacketed gasket	Synthetic fibers + PTFE	12 91 40 00 00
3	Stub pipe	AISI 316 L	12 91 41 10 00
4	Intermediary flange	AISI 316 L	12 91 41 00 03
5	Bolting kit for TANKFLY	AISI 304	12 91 41 91 00
6	Blind flange	AISI 316 L	12 85 49 00 01
7	Bolting kit	AISI 304	12 91 71 00 00
8	TANKFLY butterfly valve clamped type	AISI 316 L	12 85 57 00 00



Footvalve NEATCO or NEATFLOW

