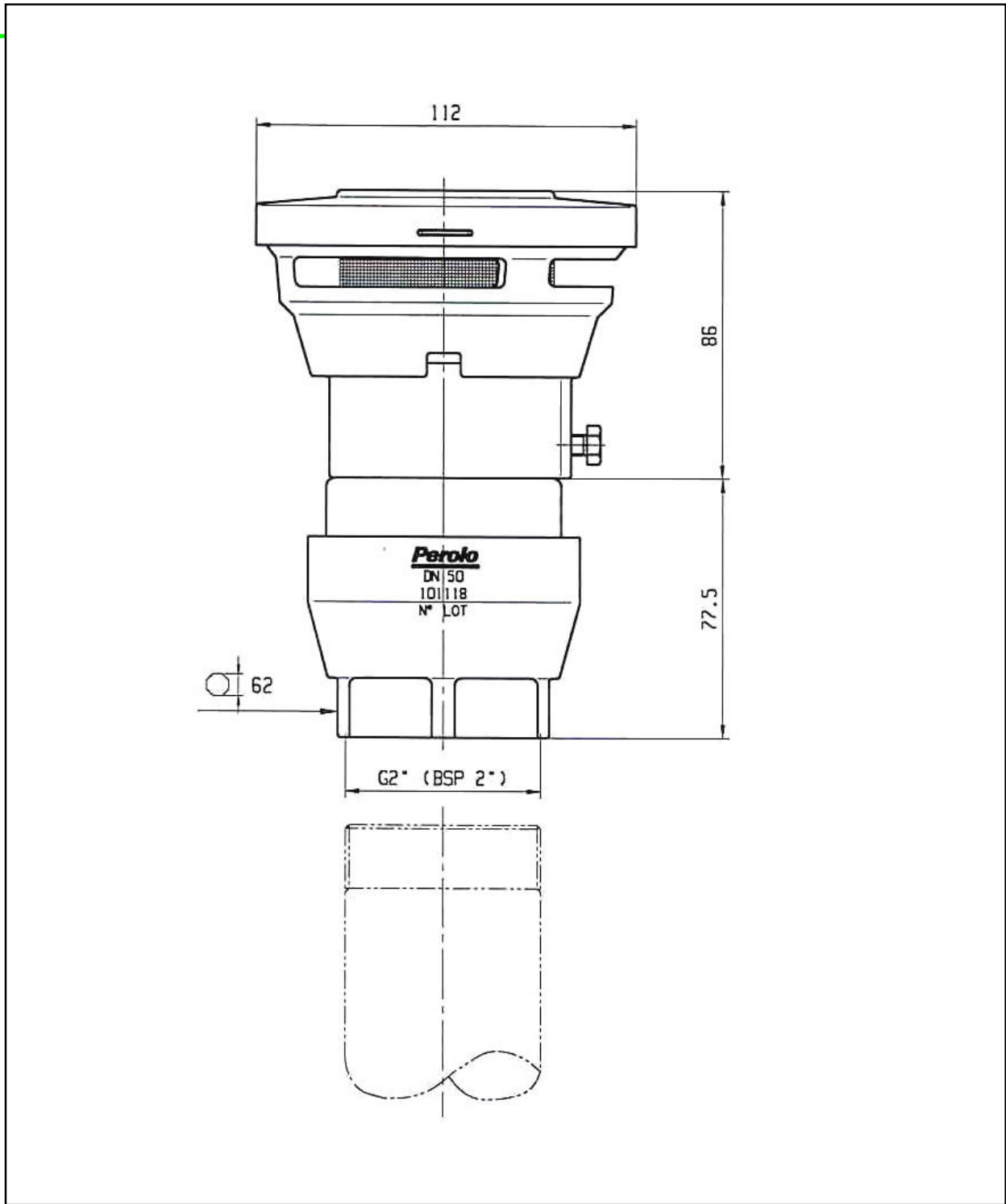


# "VERTIFLO" vent

## Installation sheet



"VERTIFLO" vent