

1" 1/4 vaccum relief valve "YAK" VX

Installation sheet

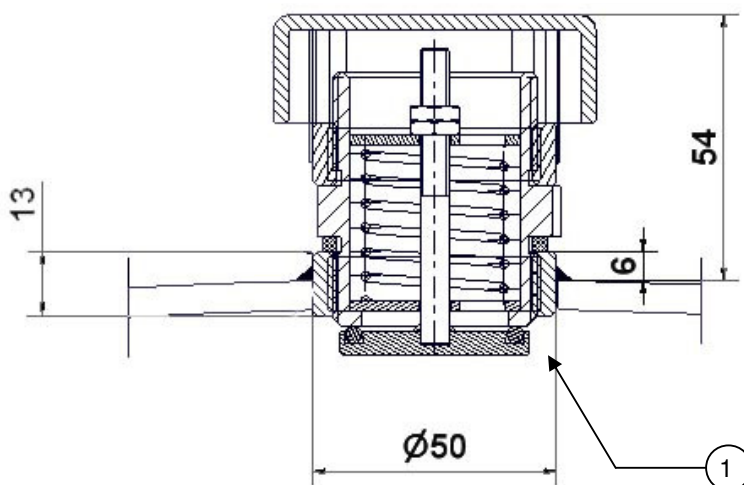
1" 1/4 vaccum relief valve
YAK.VX

INSTALLATION

The valve is fitted in a flange threaded 1" 1/4 NPT or BSP.

The maximum height of the flange is 13 mm maxi to allow a full valve opening.

The flange upside face must be clean and flat to get a perfect tightness with the valve body when fitted on the flange.



- Carefully weld the pad ① (TIG process recommended) to avoid the thread distortion.
- Screw the valve into tank pad thread, tighten to 4 m.daN using a 46 mm spanner

ACCESSORIES

Rep	Description	PART N°
1	Welding pad	1710063001