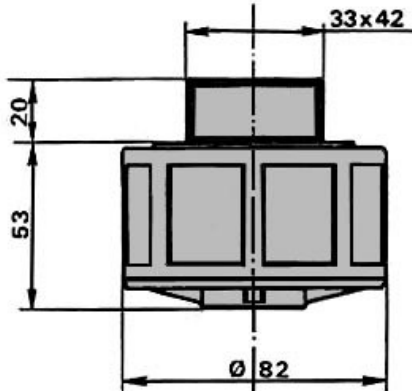


"YAK"™ Pressure and vacuum vent valve Installation sheet

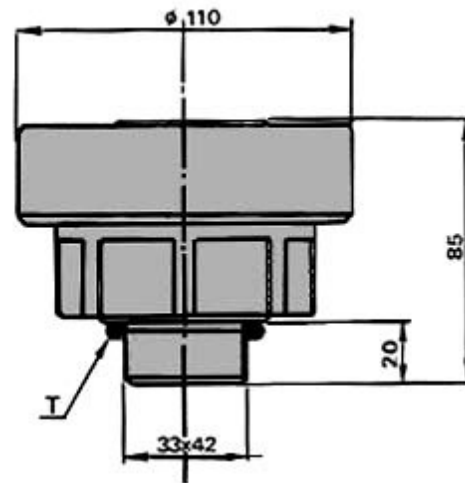
"YAK"™ pressure
and vacuum vent valve

INSTALLATION

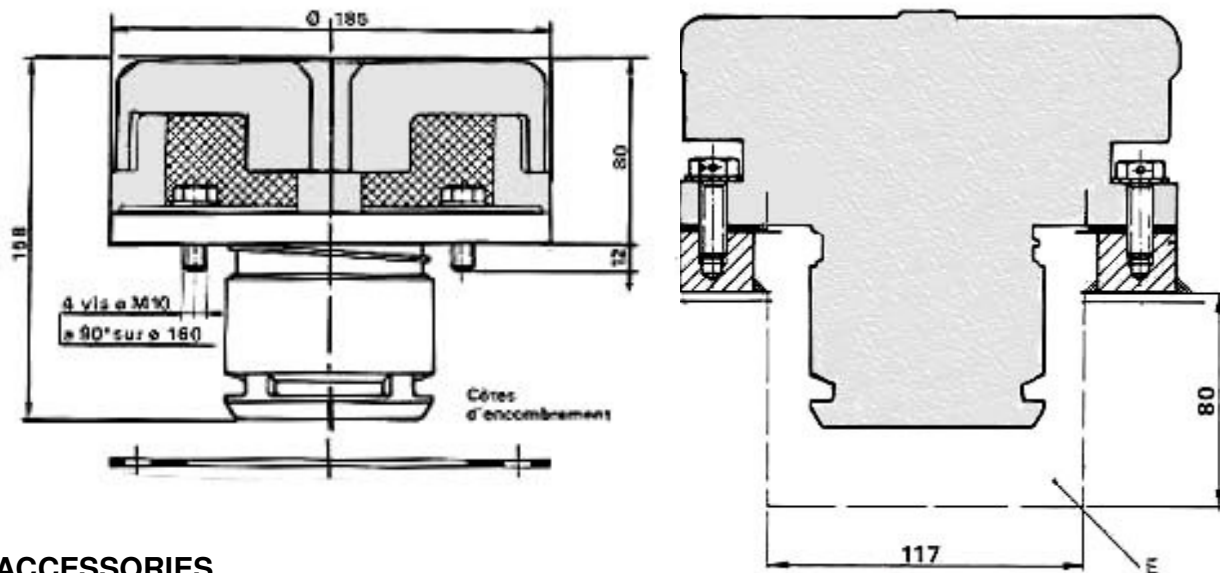
Overall dimensions :
Internal model "YAK" RA



Overall dimensions :
Internal model "YAK" RB



Overall dimensions :
Internal model "YAK" RC



ACCESSORIES

Item	Designation	Part n°
A	Aluminium welding flange	12.90.61.00.01
A	Carbon steel	12.90.62.00.01