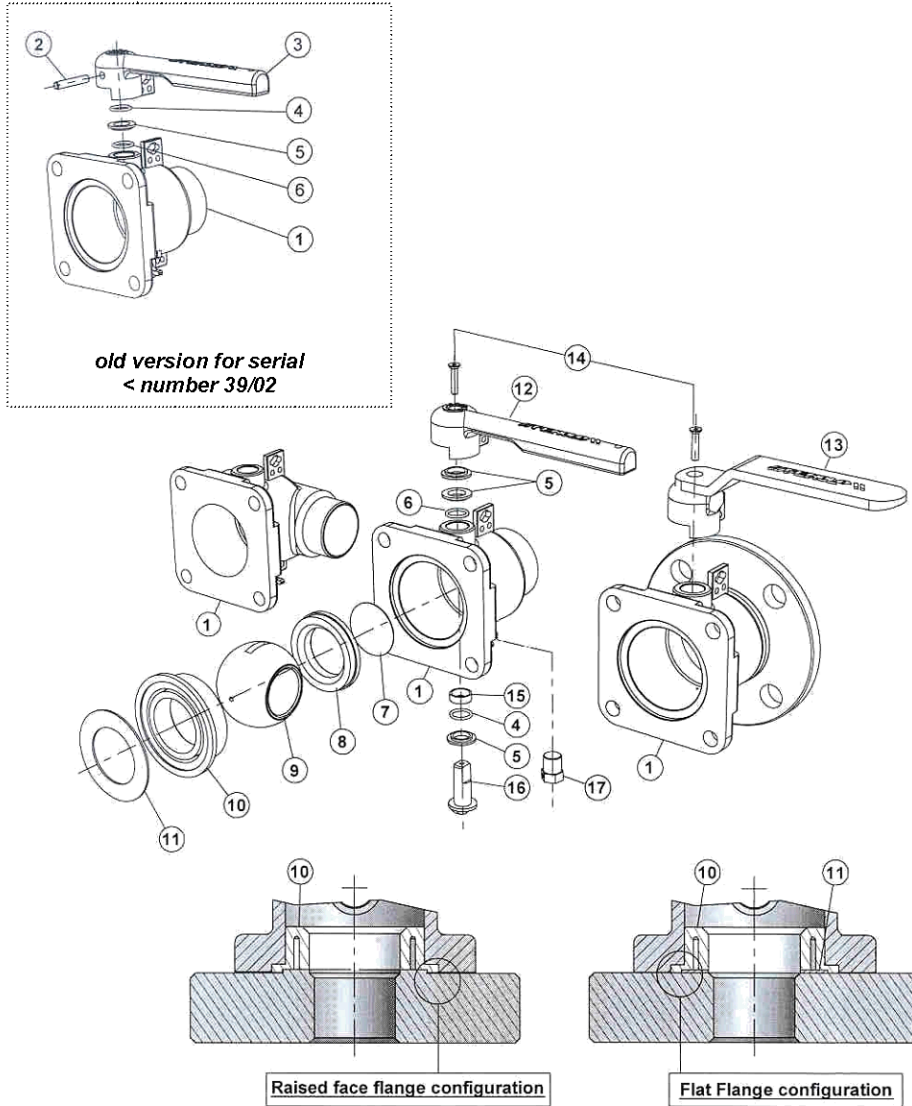


1 1/2" "ATCO"TM air inlet dual ball valve threaded model

Maintenance sheet

 1 1/2" "ATCO"TM
air inlet ball valve


| MAINTENANCE KIT | | |
|------------------------------------------|------------------------------------|----------------|
| ITEM | DESIGNATION | CODE |
| for ATCO flanged model | | |
| 13-14-16 | Handle and spindle maintenance set | 11.91.07.00.00 |
| for ATCO straight and dual models | | |
| 12-14-16 | Handle and spindle maintenance set | 11.91.08.00.00 |
| for all models | | |
| 4-5-6-15 | O'ring maintenance set | 11.91.06.00.00 |
| 8-10-11 | Ball seals kit | 11.91.09.00.00 |
| 9 | Ball | 12.96.06.09.00 |
| 7 | Gauze filter | 12.91.94.00.00 |