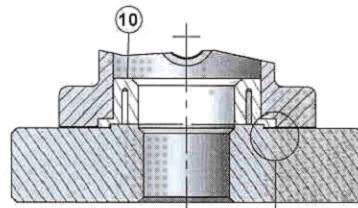
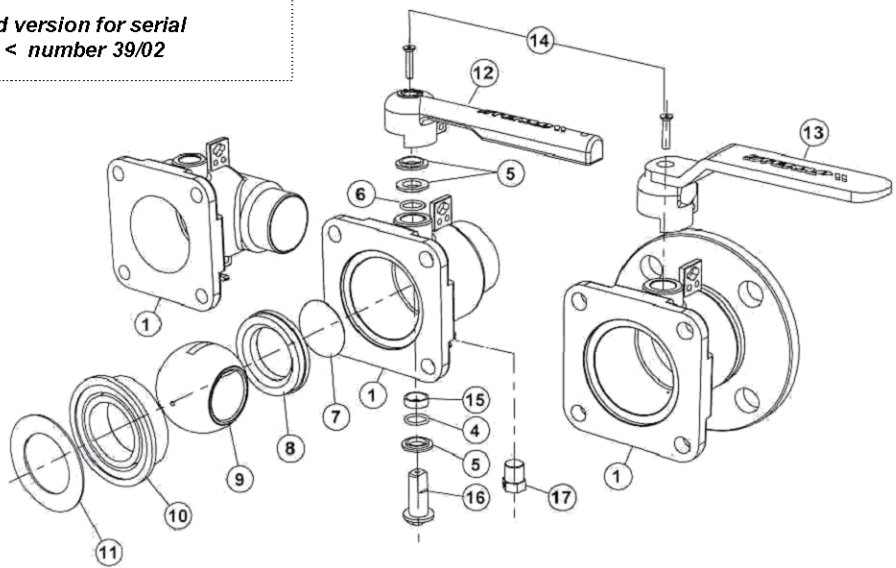
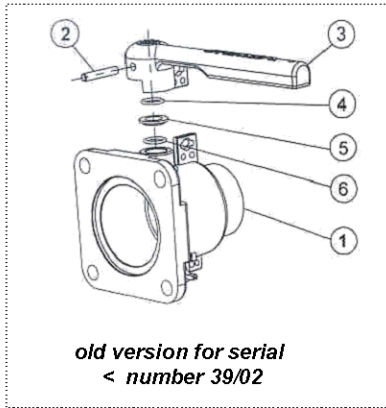
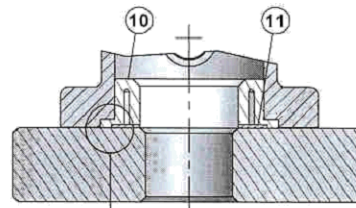


# 1 1/2" "ATCO"<sup>TM</sup> air inlet ball valve straight flanged model

## Maintenance sheet

 1 1/2" "ATCO"<sup>TM</sup>  
air inlet ball valve


Raised face flange configuration



Flat Flange configuration

MAINTENANCE KIT		
ITEM	DESIGNATION	CODE
<b>for ATCO flanged model</b>		
13-14-16	Handle and spindle maintenance set	11.91.07.00.00
<b>for ATCO straight and dual models</b>		
12-14-16	Handle and spindle maintenance set	11.91.08.00.00
<b>for all models</b>		
4-5-6-15	O'ring maintenance set	11.91.06.00.00
8-10-11	Ball seals kit	11.91.09.00.00
9	Ball	12.96.06.09.00
7	Gauze filter	12.91.94.00.00