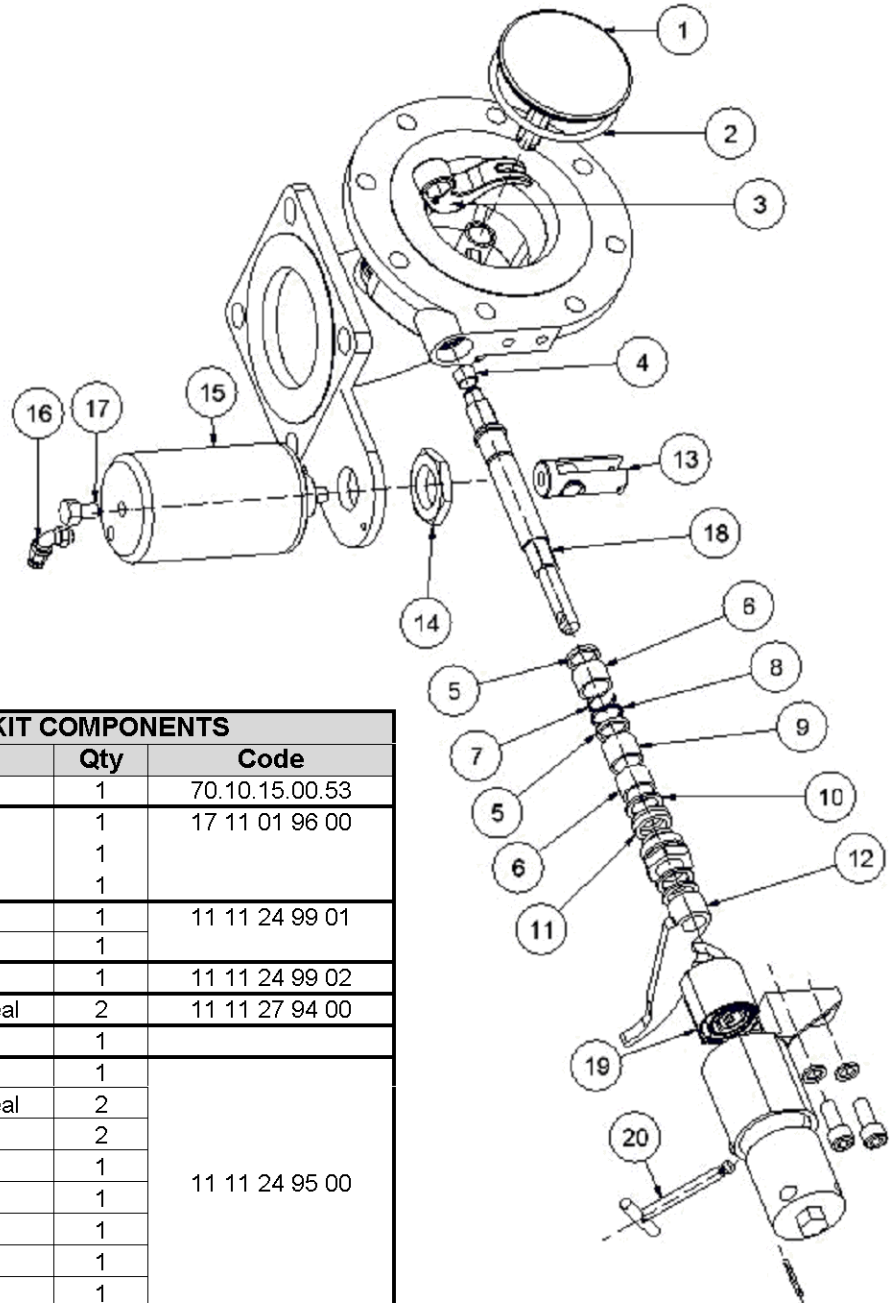


3" pneumatical "CHEMFLOW" footvalve with side actuator

Maintenance sheet



MAINTENANCE KIT COMPONENTS			
Item	Designation	Qty	Code
2	O'ring	1	70.10.15.00.53
3	Cranck block	1	17 11 01 96 00
2	O'ring	1	
1	Poppet	1	
2	O'ring	1	11 11 24 99 01
1	Poppet	1	
3	Cranck block	1	11 11 24 99 02
5	PTFE energised spring seal	2	11 11 27 94 00
7	Spring ring	1	
4	PTFE bush	1	
5	PTFE energised spring seal	2	
6	PTFE bush	2	
7	Spring ring	1	
8	Seal packing ring	1	11 11 24 95 00
9	Spacer	1	
10	Packing ring	1	
11	Packing gland	1	
18	Spindle	1	11 11 24 97 00
19	Spring	1	
20	Retaining pin	1	11 11 24 98 00
14	Nut	1	17 11 01 95 00
15	Actuator	1	