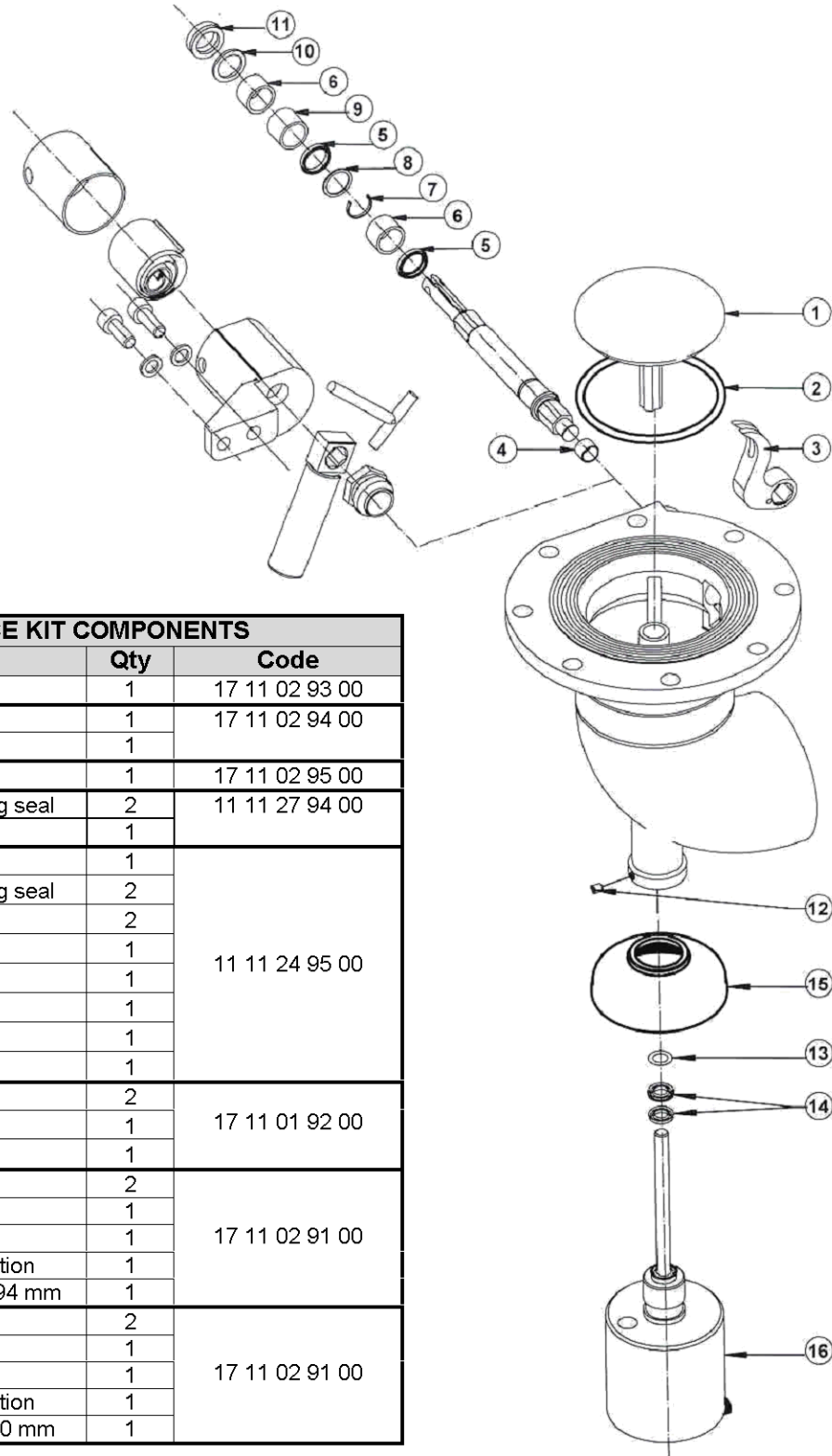


# 4" "CHEMFLOW" footvalve

## Maintenance sheet



MAINTENANCE KIT COMPONENTS			
Item	Designation	Qty	Code
2	O'ring	1	17 11 02 93 00
2	O'ring	1	17 11 02 94 00
1	Poppet	1	
3	Tappet	1	17 11 02 95 00
5	PTFE energised spring seal	2	11 11 27 94 00
7	Spring ring	1	
4	PTFE bush	1	
5	PTFE energised spring seal	2	
6	PTFE bush	2	
7	Spring ring	1	11 11 24 95 00
8	Seal packing ring	1	
9	Spacer	1	
10	Packing ring	1	
11	Packing gland	1	
12	Screw	2	
13	Jackring	1	17 11 01 92 00
14	Packing gland	1	
12	Screw	2	
13	Packing gland	1	
14	Packing gland	1	17 11 02 91 00
15	Pneumatic jack protection	1	
16	Pneumatic cylinder 194 mm	1	
12	Screw	2	
13	Jackring	1	
14	Packing gland	1	17 11 02 91 00
15	Pneumatic jack protection	1	
16	Pneumatic cylinder 170 mm	1	