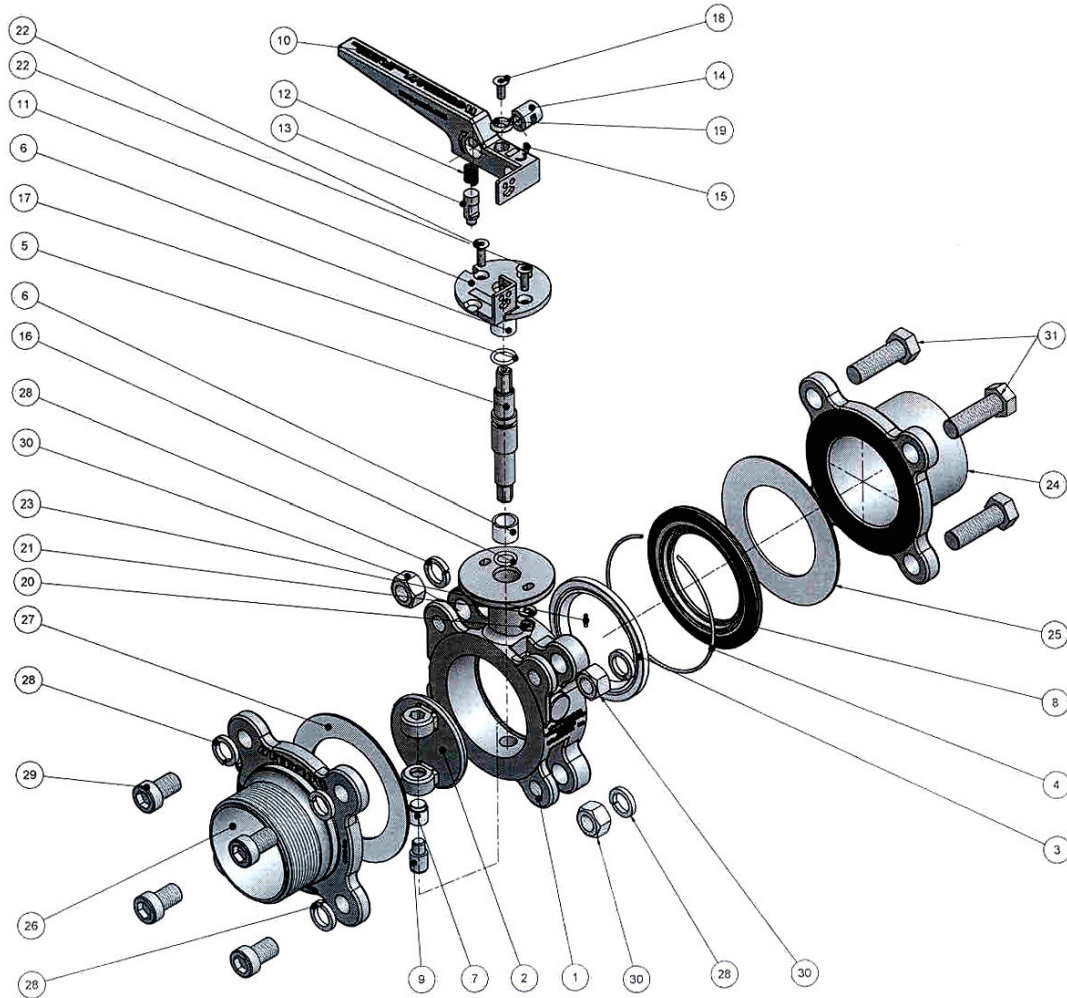


3" "CHEMFLY" gravity discharge

Maintenance sheet

3" "CHEMFLY"
gravity discharge



MAINTENANCE KIT COMPONENTS							
Item	Designation	Qty	Code	Item	Designation	Qty	Code
2	Butterfly valve	1	12.85.57.93.00	10	Handle	1	
7	Plug bearing	1		12	Spring	1	
3	Butterfly valve gasket	1	12.85.57.94.00	13	Handle lever	1	
16	Spindle o'ring FEP	1	17.12.05.93.00	14	Center boss	1	17.12.01.90.00
17	O'ring VITON	1		15	Screw M 4 x 8	1	
4	Holding ring	1	12.85.57.95.00	18	Screw M 6 x 16	1	
8	Retaining ring	1		19	Washer	1	
16	Spindle o'ring	1		24	Inlet adaptor	1	17.12.10.96.00
17	O'ring	1		25	Jacketed gasket inlet adaptor	1	17.12.10.98.00
20	Nut HM 6	2	12.85.57.96.00	26	BSP outlet (see note)	1	17.12.10.90.00
21	Washer	2		27	Jacketed gasket outlet	1	17.12.10.99.00
22	Screw FMC M6	2		28	M16 spring washer	4	bolting kit outlet
5	Drive spindle	1	12.85.57.97.00	29	M16 socket head cap screw	4	17.12.10.91.00
6	Spindle bearing	2	12.85.57.98.00	28	M16 spring washer	4	bolting kit inlet adaptor
7	Plug bearing	1		30	M 16 full nut	4	17.12.10.95.00
1	Body	1		31	M16 ex head set crew	4	

PART NUMBER VARIES ACCORDING TO SPECIFICATION