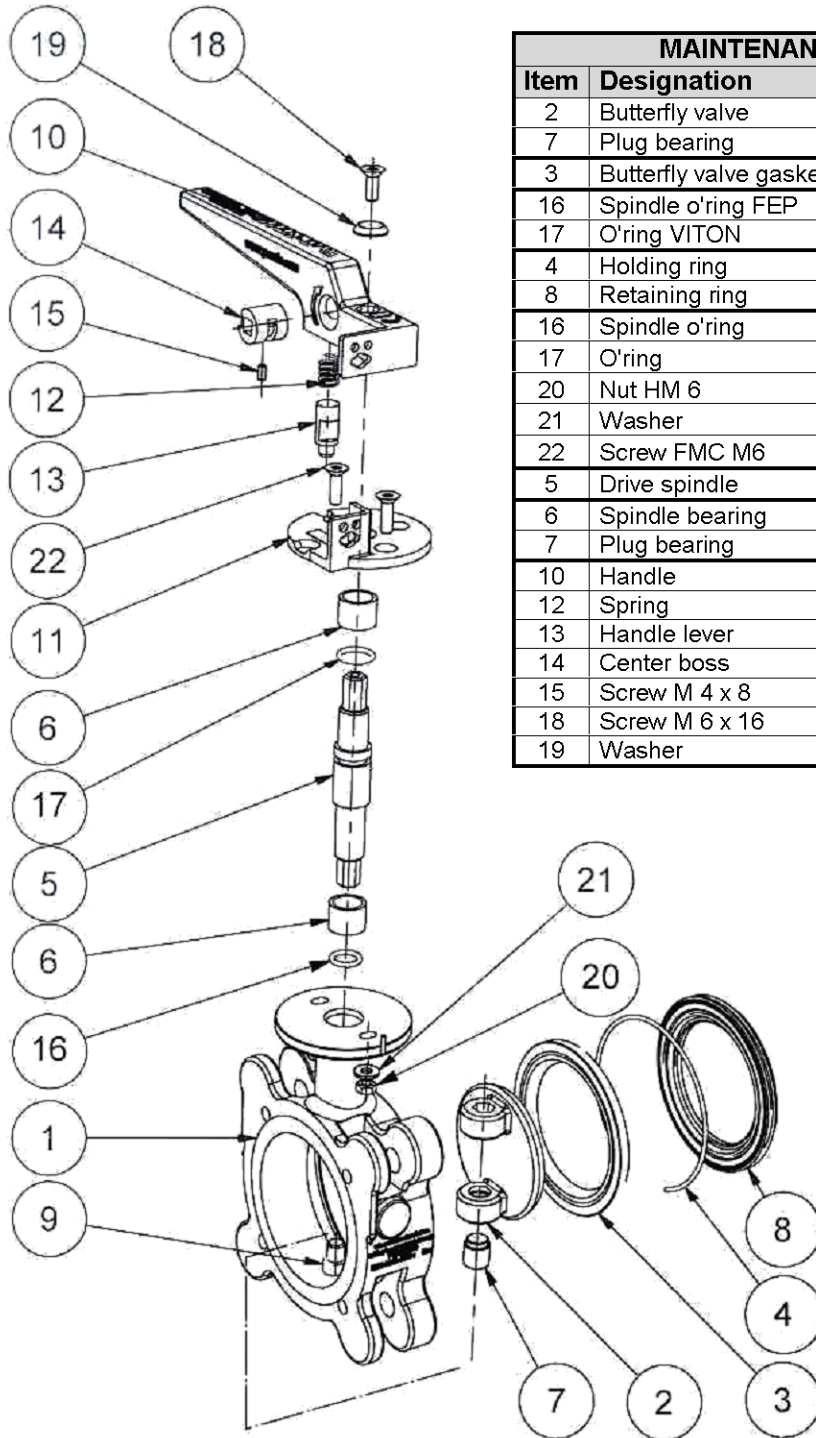


3" "CHEMFLY" butterfly valve

Maintenance sheet



MAINTENANCE KIT COMPONENTS			
Item	Designation	Qty	Code
2	Butterfly valve	1	12 85 57 93 00
7	Plug bearing	1	
3	Butterfly valve gasket	1	12 85 57 94 00
16	Spindle o'ring FEP	1	17 12 05 93 00
17	O'ring VITON	1	
4	Holding ring	1	12 85 57 95 00
8	Retaining ring	1	
16	Spindle o'ring	1	
17	O'ring	1	
20	Nut HM 6	2	12 85 57 96 00
21	Washer	2	
22	Screw FMC M6	2	
5	Drive spindle	1	12 85 57 97 00
6	Spindle bearing	2	
7	Plug bearing	1	12 85 57 98 00
10	Handle	1	
12	Spring	1	
13	Handle lever	1	
14	Center boss	1	17 12 01 90 00
15	Screw M 4 x 8	1	
18	Screw M 6 x 16	1	
19	Washer	1	