

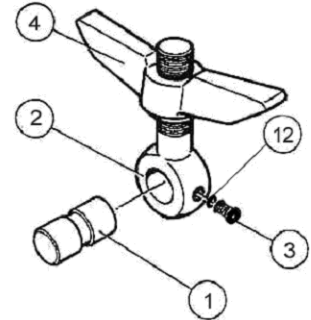
# 12" "MULTIDO"™ manlid low profile and standard

## Maintenance sheet

### SWING BOLT KIT

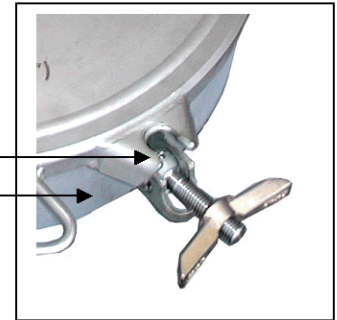
#### For standard manlid

ITEM	COMPOSITION		MATERIAL		
	DESIGNATION	QTY	EYE BOLT	WING NUT	CODE
4	Wing nut	1			
1	Swing bolt hinge pin	1	Stainless steel	Stainless steel	12.13.68.93.00
3	TBHC M6x8 screw	1			
2	Eye bolt	1	Stainless steel	Copper aluminium	12.13.68.92.00
12	Washer	1			



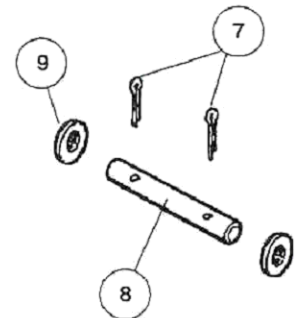
The screw and washer must be placed on the neckring side to ensure inviolability when manlid is closed.

screw / washer  
neckring



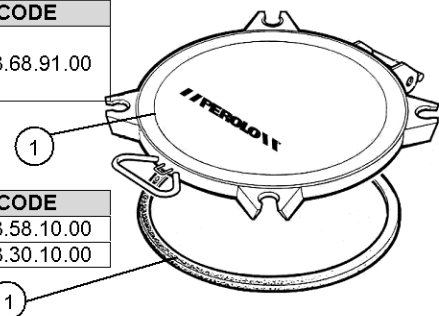
#### For low profile manlid

ITEM	COMPOSITION		MATERIAL		
	DESIGNATION	QTY	EYE BOLT	WING NUT	CODE
4	Wing nut	1	Short eye bolt	Copper aluminium	12.93.86.92.00
1	Swing bolt hinge pin	1	stainless steel		
3	TBHC M6x8 screw	1	Long eye bolt	Copper aluminium	12.93.86.91.00
2	Eye bolt	1	stainless steel		
12	Washer	1			



### HINGE – PIN SET

ITEM	COMPOSITION		MATERIAL		
	DESIGNATION	QTY			CODE
8	Hinge pin axis	1			
9	Washer M16U	2	Stainless steel		12.13.68.91.00
7	Pin V4-28	2			



### COVER

ITEM	DESIGNATION	QTY	MATERIAL	CODE
1	Standard cover	1	Stainless steel	12.13.58.10.00
1	Low profile cover	1	Stainless steel	51.13.30.10.00

### GASKET

ITEM	DESIGNATION	QTY	MATERIAL	CODE
11	Gasket –Tanklid n° 2	1	VITON with PTFE enveloppe	12.13.58.00.01
11	Gasket	1	Food perbunan	On request