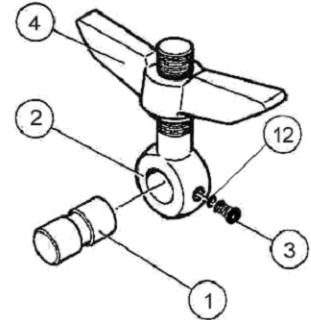


Maintenance sheet

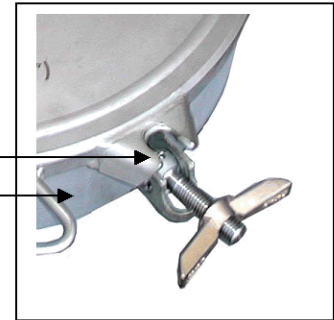
SWING BOLT KIT

ITEM	COMPOSITION		MATERIAL		
	DESIGNATION	QTY	EYE BOLT	WING NUT	CODE
4	Wing nut	1			
1	Swing bolt hinge pin	1	Stainless steel	Stainless steel	12.13.68.93.00
3	TBHC M6x8 screw	1			
2	Eye bolt	1	Stainless steel	Copper aluminium	12.13.68.92.00
12	Washer	1			



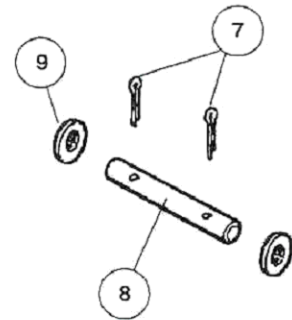
The screw and washer must be placed on the neckring side to ensure inviolability when manlid is closed.

screw / washer
neckring



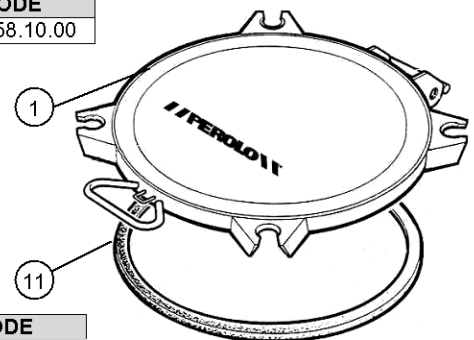
HINGE – PIN SET

ITEM	COMPOSITION		MATERIAL	CODE
	DESIGNATION	QTY		
8	Hinge pin axis	1	Stainless steel	12.13.68.91.00
9	Washer M16U	2		
7	Pin V4-28	2		



COVER

ITEM	DESIGNATION	QTY	MATERIAL	CODE
1	Standard cover	1	Stainless steel	12.13.58.10.00



GASKET

ITEM	DESIGNATION	QTY	MATERIAL	CODE
11	Gasket –Tanklid n° 2	1	VITON with PTFE enveloppe	12.13.58.00.01
11	Gasket	1	Food perbunan	On request