

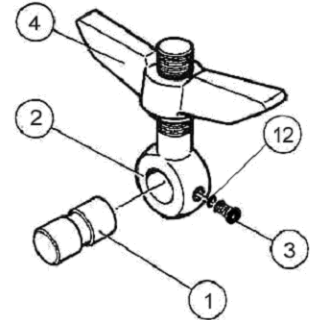
20" "MULTIDO"TM manlid low profile and standard

Maintenance sheet

SWING BOLT KIT

For standard manlid

ITEM	COMPOSITION		MATERIAL		
	DESIGNATION	QTY	EYE BOLT	WING NUT	CODE
4	Wing nut	1			
1	Swing bolt hinge pin	1	Stainless steel	Stainless steel	12.13.68.93.00
3	TBHC M6x8 screw	1			
2	Eye bolt	1	Stainless steel	Copper aluminium	12.13.68.92.00
12	Washer	1			

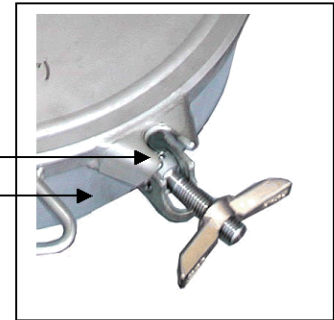


The screw and washer must be placed on the neckring side to ensure inviolability when manlid is closed.

For low profile manlid

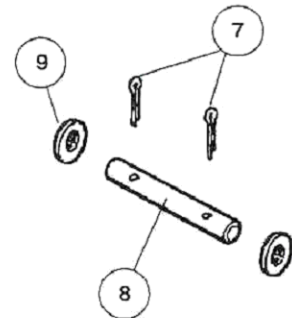
ITEM	COMPOSITION		MATERIAL		
	DESIGNATION	QTY	EYE BOLT	WING NUT	CODE
4	Wing nut	1	Short eye bolt	Copper aluminium	12.93.86.92.00
1	Swing bolt hinge pin	1	stainless steel	aluminium	12.93.86.92.00
3	TBHC M6x8 screw	1	Long eye bolt	Copper aluminium	12.93.86.91.00
2	Eye bolt	1	stainless steel		
12	Washer	1			

screw / washer
neckring



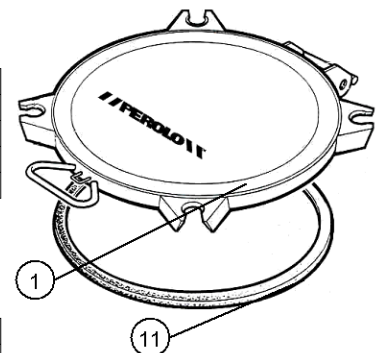
HINGE – PIN SET

ITEM	COMPOSITION		MATERIAL		CODE
	DESIGNATION	QTY			
8	Hinge pin axis	1			12.13.68.91.00
9	Washer M16U	2	Stainless steel		
7	Pin V4-28	2			



COVER

ITEM	DESIGNATION	QTY	MATERIAL	CODE
1	6 pts fastening standard cover	1	Stainless steel	12.93.56.10.00
1	6 pts fastening low profile cover	1	Stainless steel	12.93.86.20.00
1	8 pts fastening standard cover	1	Stainless steel	12.13.65.10.00
1	8 pts fastening low profile cover	1	Stainless steel	12.94.26.10.00



GASKET

ITEM	DESIGNATION	QTY	MATERIAL	CODE
11	Gasket –Tanklid n° 2	1	VITON with PTFE enveloppe	12.13.53.00.07
11	Gasket	1	Food perbunan	12.13.53.00.06