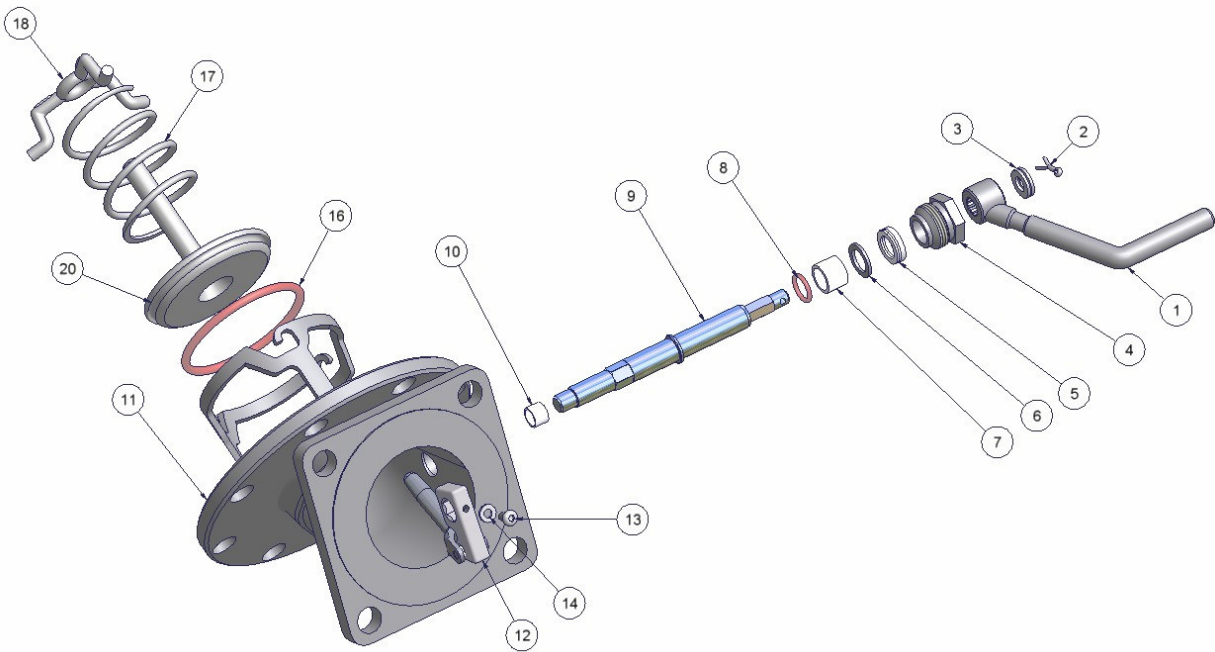


# 3" "NEATCO"™ footvalve

## Maintenance sheet



ITEM	DESIGNATION	CODE
	<b>Pressure plate including :</b>	11.11.14.97.00
20	Monobloc poppet	
16	O'ring	
	<b>Crank block &amp; spindle including</b>	11.11.14.95.00
14	Washer	
12	Crank block	
13	Screw	
9	Spindle	
	<b>Operating handle kit including :</b>	12.85.24.93.00
1	Operating handle	
3	Retaining washer	
2	Split pin	
	<b>Crank block assembly including :</b>	11.11.14.98.00
14	Washer	
12	Crank block	
13	Screw	
	<b>Spindle packing set including :</b>	12.85.38.91.00
10	PTFE bush	
8	O'ring	
7	PTFE bush	
6	Washer	
5	Packing rings	
3	Washer	
2	Split pin	
9	Spindle	11.11.14.99.00
5	Packing gland	12.85.30.30.00
16	O'ring	70.10.15.00.53
17	Spring	12.85.38.00.02
18	Bayonet cap	11.11.14.00.02

\* For "CISCO" model, please contact us