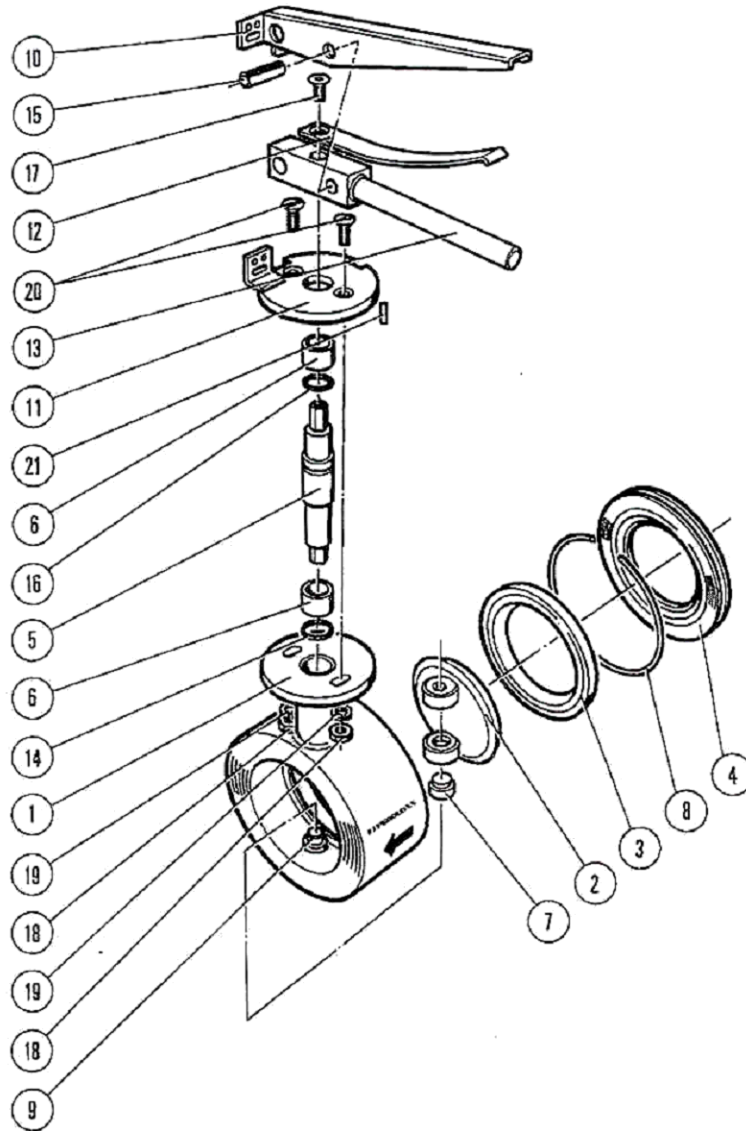


3" "TANKFLY"™ clamped butterfly valve

Maintenance sheet



MAINTENANCE KIT

ITEM	DESIGNATION	CODE
2	Butterfly valve clockwise	12.85.57.93.00
3	Butterfly valve gasket	12.85.57.94.00
3	Butterfly valve gasket (x10)	12.85.57.99.01
4-8	Gasket tightening flange set	12.85.57.95.00
14-16-18-19-20	Spindle seal set	12.85.57.96.00
5	Drive spindle	12.85.57.97.00
6-7	Spindle bearing set	12.85.57.98.00
12	Operating spring	12.85.58.91.00
10	Handle clockwise	12.85.57.99.00
13	Control lever mounting	12.85.58.93.00

3" "TANKFLY"™
clamped butterfly valve