

1" 1/4 vacuum relief valve YAK.VX

Maintenance sheet

1" 1/4 vacuum relief valve
YAK.VX

SERVICE AND MAINTENANCE

In order to keep the original flow performance, cleaning of the gauze should be made at least once a year.

To clean the gauze :

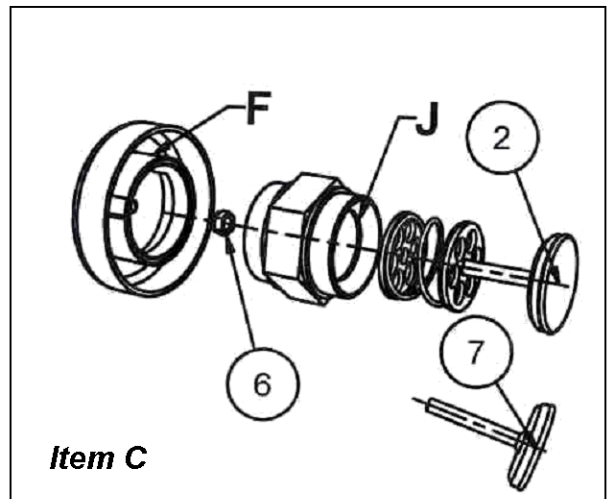
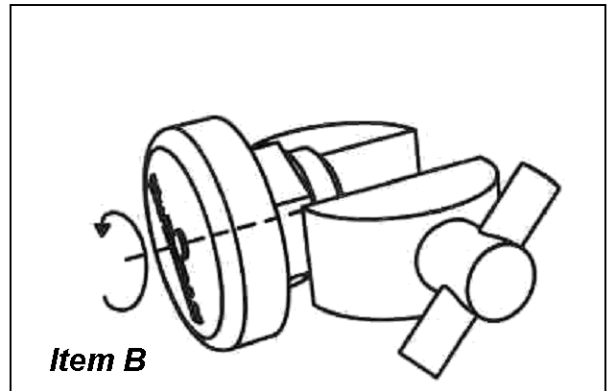
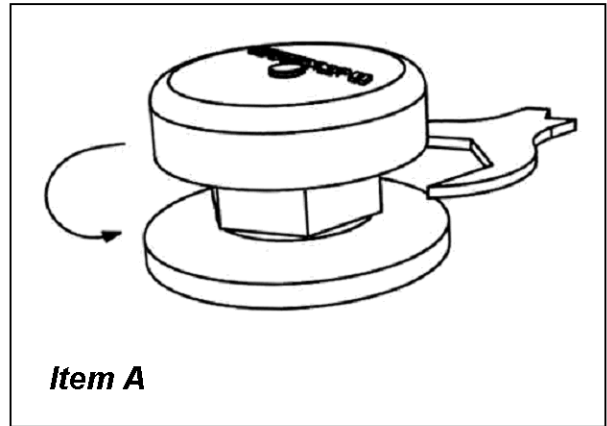
Dismantle according to *items A, B, C.*

Clean the gauze with compressed air (*F*) and make sure all dust or dirt are carefully removed from the gauze. In case of important / thick dust, the gauze can be cleaned in a solvent bath, before the compressed air cleaning step.

In case of valve leakage, dismantle as indicated, unscrew nut (item 6) with hexagonal spanner (13), maintain poppet with fingers to block in rotation.

Replace seal (item 7) with a new one, check the sealing surface before reassembly, clean the surface if necessary. Proceed to reassembly.

Test : at required pressure adjust nut item 6 to compress the spring and obtain the correct pressure adjustment.



MAINTENANCE KIT		
ITEM	DESIGNATION	REFERENCE
7	kit of 6 seal	17.10.07.92.00