

# 2 1/2" (ND65) SAFETY RELIEF VALVE

## DIN 11851 MEGA SUPERVENTIX MX65M/N & MP65M/N(PED)

The Perolo 2 1/2" MEGA SUPERVENTIX™ hygienic connection is designed to protect tanks against accidental overpressure or excessive vacuum. With a compact design, this SRV has a high flow performance. Made of 316/1.4408 stainless steel, this product is suitable for ISO tank containers, IBC's, road tankers and static tanks dedicated to the transport & storage of liquid foodstuff.



SPECIFICATION	
Nominal diameter	65 mm (2 1/2")
Weight	3 kg
Connection	2 1/2" DIN 11851 (ND65 & ND80)
Pressure settings	From 0.5 Bar to 7.4 Bar
Vacuum settings	From 30 to 410 mBar
Working Temperature	-40° to +190°C

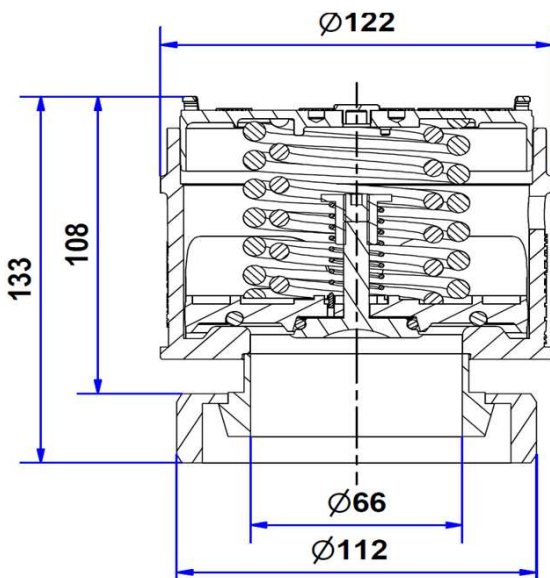
\*Temperature range may vary according to the seal material

CONFORMITY & CERTIFICATION	
Complies with ADR / IMDG / RID / ISO 4126-1	
Notified Body : Lloyd's Register Verification - RMR	
PED (for MP65)	
PED 2014/68/EU - Category IV - Module H1 - Fluid gr.1	
STANDARD FEATURES (See Codification for option)	
Made of (material)	316 / 1.4408 stainless steel
Setting Gasket	PTFE
O'rings material	FEP silicone - others on request

ACCESSORIES	
Pressure gauge	70 18 06 00 95

It is the responsibility of the user to ensure that the fluids in contact with the equipment are compatible with the materials listed in the product sheet

### DIMENSIONAL DRAWING



DIN 11851 2 1/2"

Set pressure			Measured flow rate at 120% without gauze		Certified flow rate with the federal register coefficient 90% without gauze	
Bar	kPa	PSIG	Sm <sup>3</sup> /S	Scfm	Sm <sup>3</sup> /S	Scfm
Max (±3% SP; 0,1B/1,45PSI)						
2,18	218	31,6	2,56	5425	2,30	4883
3,75	375	54,4	3,92	8306	3,53	7475
4,4	440	63,8	4,48	9492	4,03	8543
7,3	730	105,9	6,99	14810	6,29	13329

Flow measurement conditions: 101.3 kPa at 15°C

Flow reduction with gauze <3%

# 2 1/2" (ND65) SAFETY RELIEF VALVE

## DIN 11851 MEGA SUPERVENTIX MX65M/N & MP65M/N(PED)

### CODIFICATION

STANDARD PART NUMBER

MX65/MP65 M 20 T 10 G . .

YOUR PART NUMBER

MX65/MP65

#### BODY CONNECTION

DIN 11851 ND65	M
DIN 11851 ND80	N

#### PRESSURE SETTING - Other on request

No pressure	00
*. * bar (ex: 2.bar)	20

#### SETTING GASKET

FEP	T
Foodstuff Nitrile	A

#### VACUUM SETTING - Other on request

No Vacuum	00
0.** bar (ex: 0.10bar)	10

#### FLAME PROOF GAUZE

With	G
Without	S

#### ELECTROPOLISHED VALVE

With	E
Without	.

#### VACUUM TEST BUTTON

With	B
Without	.



**SAFETY RELIEF VALVE**