

1" (ND25) SAFETY RELIEF VALVE

DOUBLE ACTING PRESSURE AND/OR VACUUM SRV YAK VXS2M



1" YAK VX safety relief valve - designed to protect the tank from any over-pressure or any vacuum excess. Made of 316 / 1.4408 / 1.4404 stainless steel, this small product is suitable for IBC tankers dedicated to the transport and storage of chemicals and liquid foodstuff.

SPECIFICATION

Nominal diameter	25 mm (1")
Weight	250 g
Connection	1" BSP or NPT
Pressure settings	from 0.07 to 2.0 Bar
Vacuum settings	from 15 to 300 mBar
Working Temperature	-40° to +200°C*

*Temperature range may vary according to the seal material

CONFORMITY & CERTIFICATION

Complies with ADR / IMDG / RID

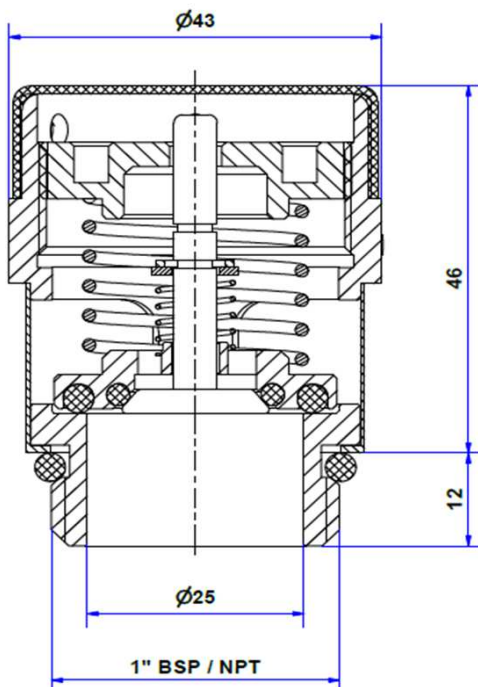
STANDARD FEATURES (See Codification for option)

Made of (material)	316 / 1.4408 stainless steel
O'rings material	FEP silicone / Viton / FFKM / EPDM
Push button	Always installed with vacuum option

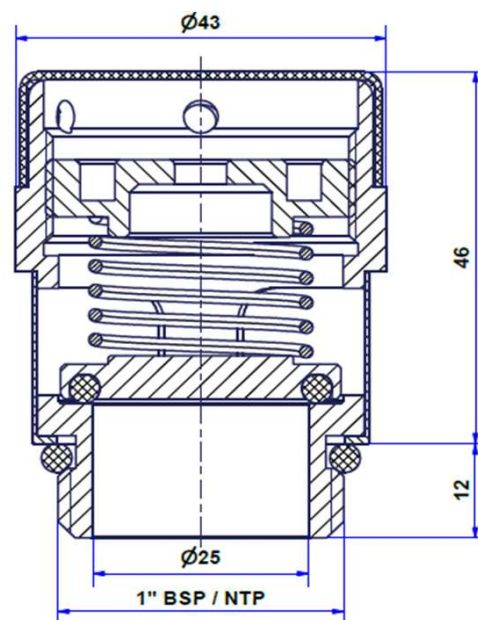
ACCESSORIES

Weld-in flange	On request
Gauze	On request

DIMENSIONAL DRAWING



Pressure & vacuum



Pressure only

Set pressure tolerance: Max (±3%; 0,1b/1,45 PSI)

1" (ND25) SAFETY RELIEF VALVE

DOUBLE ACTING PRESSURE AND/OR VACUUM SRV

YAK VXS2M

CODIFICATION

STANDARD PART NUMBER

VXS2 M B D 03 30 F G

YOUR PART NUMBER

VXS2 M

OUTLET CONNECTION

Male threaded outlet

M

TYPE OF THREAD

1" BSP

B

1" NPT

N

PRESSURE & VACUUM SETTING

Pressure & Vacuum (with test button)

D

Pressure Only (without test button)

P

Vacuum Only (with test button)

V

PRESSURE SETTING - Other on request

No Pressure

00

*. * bar (ex: 0.3bar)

03

VACUUM SETTING - Other on request

No Vacuum

00

0.* bar (ex: 0,30bar)

30

O'RING & SETTING GASKET MATERIAL

Setting gasket: FKM/Viton

Pressure O'ring: FKM/Viton Tcoat

Vacuum O'ring: FKM/Viton Tcoat

WT -20°C to +200°C

V

Setting gasket: FEP/Silicone

Pressure O'ring: FEP/Silicone

Vacuum O'ring: FFKM/Kalrez

WT -15°C (P&V) or -40°C (P only) to +200°C

K

Setting gasket: FEP/Silicone

Pressure O'ring: FEP/Silicone

WT -40°C to +200°C (P only)

F

Setting gasket: EPDM

Pressure O'ring: EPDM

Vacuum O'ring: EPDM

WT -40°C to +150°C

E

FLAME PROOF GAUZE

With

G

Without

0



SAFETY RELIEF VALVE