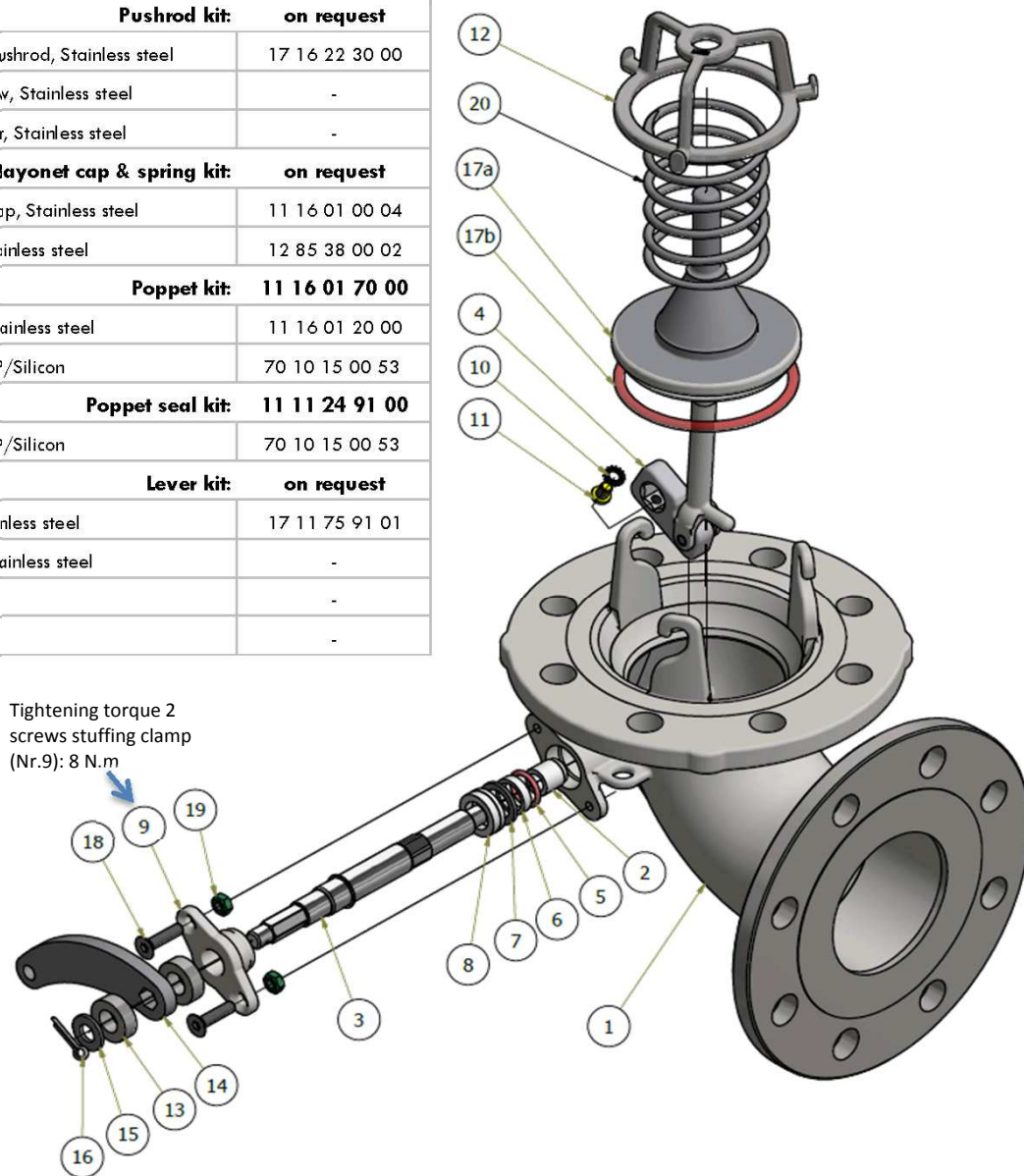


MAINTENANCE



ITEM	QTY	DESIGNATION	PART N°
Spindle kit: on request			
3	1	Spindle, Stainless steel	11 16 01 00 01
Spindle seals kit: 11 11 24 95 00			
2	1	End spindle bush, PTFE & 25% Glass	17 16 23 10 01
5	1	O'ring, FEP/Silicon	70 10 15 00 12
6	1	Spindle bush, PTFE & 25% Glass	11 16 01 00 03
7	1	Packing ring, Stainless steel	-
8	1	Packing gland, PTFE	12 85 30 30 00
15	1	Washer, Stainless steel	-
16	1	Split pin, Stainless steel	-
Pushrod kit: on request			
4	1	Crank & Pushrod, Stainless steel	17 16 22 30 00
11	1	M6-8 screw, Stainless steel	-
10	1	M6 washer, Stainless steel	-
Bayonet cap & spring kit: on request			
12	1	Bayonet cap, Stainless steel	11 16 01 00 04
20	1	Spring, Stainless steel	12 85 38 00 02
Poppet kit: 11 16 01 70 00			
17a	1	Poppet, Stainless steel	11 16 01 20 00
17b	1	O'ring, FEP/Silicon	70 10 15 00 53
Poppet seal kit: 11 11 24 91 00			
17b	1	O'ring, FEP/Silicon	70 10 15 00 53
Lever kit: on request			
14	1	Lever, Stainless steel	17 11 75 91 01
13	2	Spacer, Stainless steel	-
16	1	Split pin	-
15	1	Washer	-

Nb: Perolo recommends the spindle seals should be changed simultaneously to maintain the valve spindle perfectly tight.



BOTTOM DISCHARGE