

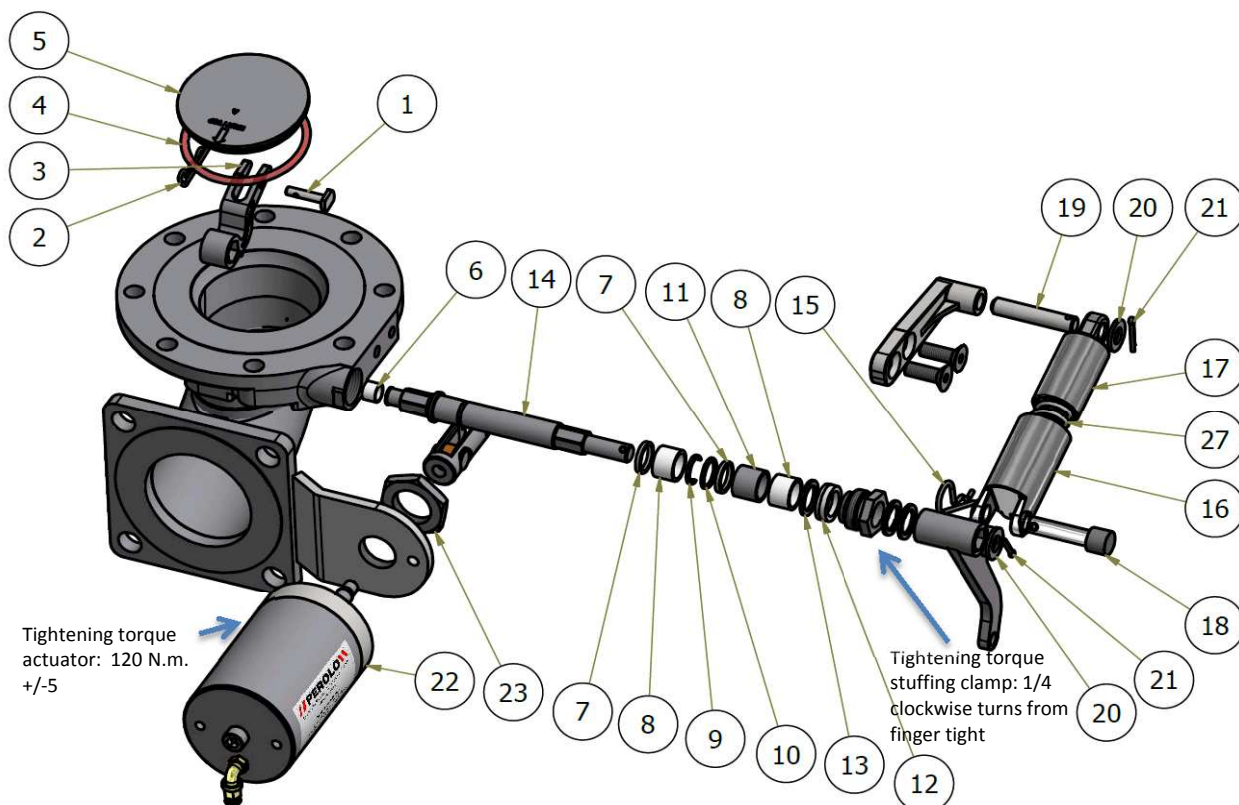
### MAINTENANCE



ITEM	QTY	DESIGNATION	PART N°
<b>Spindle kit: on request</b>			
14	1	Spindle, Stainless steel	11 11 14 99 11
<b>Spindle seals kit: 11 11 24 95 00</b>			
6	1	Spindle bush, PTFE	12 85 30 00 05
7	2	Gasket Ekonol, PTFE	70 10 90 00 93
8	2	Spindle bush, PTFE	11 11 24 00 06
9	1	Elastic ring, Stainless steel	-
10	1	Stop ring, Stainless steel	-
11	1	Spacer, Stainless steel	-
12	1	Packing gland, PTFE	11 11 24 00 15
13	3	Packing ring, Stainless steel	-
20	1	Washer, S.S.	-
21	1	V-pin, S.S.	-
<b>Lift fork kit: on request</b>			
3	1	Lift fork kit, Stainless steel	11 16 92 00 02
<b>Poppet seal kit: 11 11 24 91 00</b>			
4	1	O'ring, FEP/Silicon	70 10 15 00 53
<b>Poppet kit: 17 16 17 90 00</b>			
5	1	Flat poppet, 316L/1.4404	17 16 17 00 01
4	1	O'ring, FEP/Silicon	70 10 15 00 53
2	1	Beta Pin, Stainless steel	11 16 87 00 04
1	1	Poppet Spindle, Stainless steel	11 16 87 00 05

ITEM	QTY	DESIGNATION	PART N°
<b>Spring system kit: 11 11 14 99 19</b>			
16	1	Female MK2 case, Stainless steel	11 11 70 0A 03
17	1	Male MK2 case, Stainless steel	11 11 70 0A 04
15	1	V-pin, Stainless steel	-
20	2	Washer, Stainless steel	-
21	1	Beta pin, Stainless steel	70 13 20 37 14
27	1	Spring, Stainless steel	11 11 70 00 16
-	1	Chain, Stainless steel	-
<b>Actuator kit: 17 11 01 95 00</b>			
22	1	Actuator, Stainless steel	-
23	1	Nut, Stainless steel	-

Material of the parts are indicated for Stainless Steel Version.  
It may vary in HALAR Coated version.  
Please refer to HIGH CORROSION  
Nb: Perolo recommends the spindle seals should be changed simultaneously to maintain the valve spindle perfectly tight.



**BOTTOM DISCHARGE**