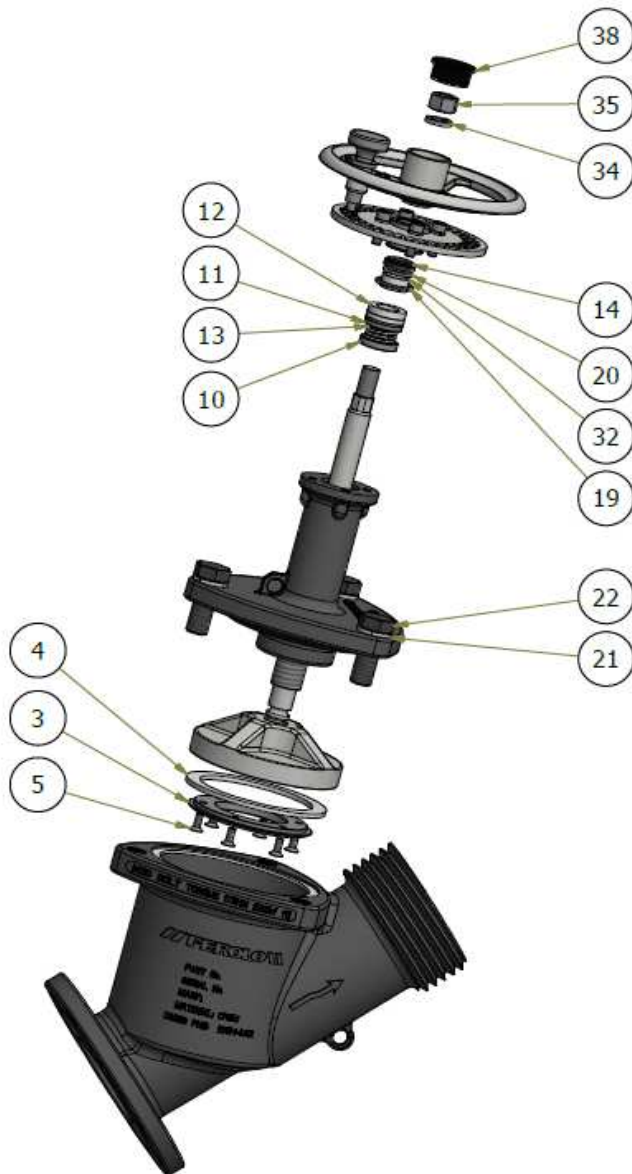


MAINTENANCE



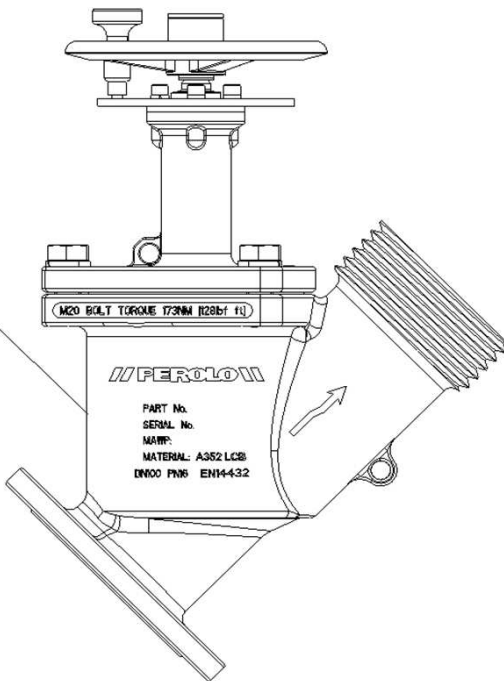
ITEM	QTY	DESIGNATION	PART N°
Poppet kit : 19 11 33 90 00			
3	1	Ring	19 11 33 00 05
4	1	Nitrile Gasket	19 11 28 00 04
5	6	M6 Screw	-
Packing gland kit : 19 11 28 91 00			
10	1	Ring for spring	-
11	1	Ring for spring	-
12	1	Gland Seal	19 11 28 30 00
13	1	Spring	17 10 35 00 14
Seal kit : 19 11 28 92 00			
-	1	Scrapper seal	70 10 91 00 64
19	1	O'ring R22	70 10 01 02 22
20	1	O'ring R17	70 10 01 02 17
32	1	Bearing	19 11 28 00 31
Screw kit : 119 11 33 94 00			
21	3	W20 grower	-
22	3	M20 x55 screw	-
Screw kit : 19 11 28 95 00			
34	1	W16 grower	-
35	1	M16 nut	-
38	1	Plug	70 14 06 90 77



BOTTOM DISCHARGE

BODY MARKING - 19 11 33 00 00 P (PED version)

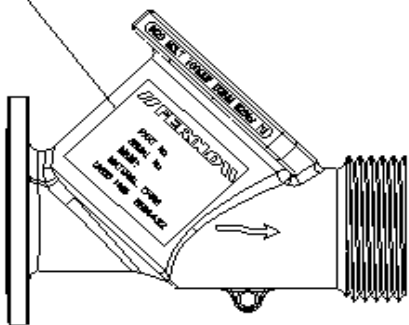
// PEROLO 33390 BLAYE-FRANCE \\
Serial N° Year
REF: 1911330000P
TS: -40°C +190°C
PS: 16 bar - PT: 24bar
Material A352 LCB/1.1156
ND100 PN16 - EN 14432-2014
CE 0038 fluide groupe 1
Date of test pressure : MM/YY



BODY MARKING - 19 11 33 00 00 (non PED version)

// PEROLO 33390 BLAYE-FRANCE \\
Serial N°
REF: 1911330000
Working temperature: -40°C +190°C
Working pressure: 16 bar - Test pressure: 24bar
Material : A352LCB / 1.1156
ND100 PN16 - EN 14432-2014

- 1) Manufacturer address
- 2) Serial number
- 3) Valve reference
- 4) Working temperature
- 5) Working pressure and test pressure
- 6) Body material
- 7) Nominal diameter and design code



BOTTOM DISCHARGE