

# 2 1/2" (ND65) SAFETY RELIEF VALVE

## HIGH PRESSURE BSP MEGA SUPERVENTIX MH65F



2 1/2" MEGA SUPERVENTIX™ BSP Threaded High Pressure safety relief valve - designed to protect tanks against accidental overpressure. It is a single acting SRV and suited for pressure ranges going from 8 bar up till 14 bar.

SPECIFICATION	
Nominal diameter	65 mm (2 1/2")
Weight	4,4 kg
Connection	2 1/2" BSP
Pressure settings	8.0 / 11.0 / 14.0 Bar
Vacuum settings	N/A
Working Temperature	-40° to +190°C

\*Temperature range may vary according to the seal material

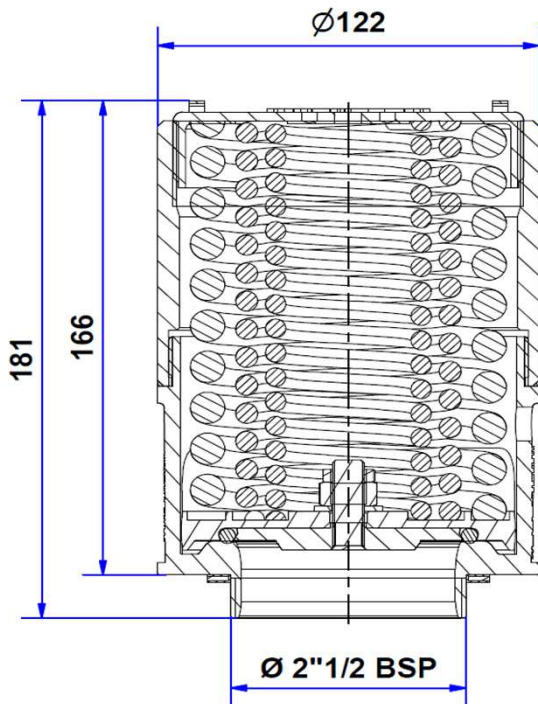
CONFORMITY & CERTIFICATION	
Complies with ADR / IMDG / RID / ISO 4126-1	
Notified Body : Lloyd's Register Verification	

STANDARD FEATURES (See Codification for option)	
Made of (material)	316L / 1.4409 stainless steel
Setting Gasket	PTFE
O'rings material	FEP silicone - others on request

ACCESSORIES	
Weld-in flange	12 91 14 00 00
Recess flange	12 92 14 00 00
Seal	11 10 01 60 00
Bursting disc adaptor flan	11 91 15 00 00
Screw kit	12 12 60 91 00
Pressure gauge 0-10b	70 21 02 00 24

It is the responsibility of the user to ensure that the fluids in contact with the equipment are compatible with the materials listed in the product sheet

### DIMENSIONAL DRAWING



Set Pressure			Measured flow rate at 120 % without gauze		Certified flow rate with the federal Register coefficient	
Bar	KPa	PSIG	Sm <sup>3</sup> /s	Scfm	Sm <sup>3</sup> /s	Scfm
Max (±3% SP; 0,1B/1,45PSI)						
8,00	800	116,1	6,76	14323	6,08	12892
11,0	110	159,6	9,16	19409	8,24	17461
14,0	140	203,1	11,56	24494	10,40	22038

Flow measurement conditions: 101.3 kPa at 15°C

Flow reduction with gauze <12%



**SAFETY RELIEF VALVE**

# 2 1/2" (ND65) SAFETY RELIEF VALVE

## HIGH PRESSURE BSP MEGA SUPERVENTIX MH65F

### CODIFICATION

#### STANDARD PART NUMBER

MH65	F	11	00	T	S	C
------	---	----	----	---	---	---

#### YOUR PART NUMBER

MH65	F			T		
------	---	--	--	---	--	--

#### BODY CONNECTION

2 1/2" BSP	F
------------	---

#### PRESSURE SETTING - Other on request

8 Bar	08
11 Bar	11
14 Bar	14

#### VACUUM SETTING

No vacuum	00
-----------	----

#### SETTING GASKET

FEP	T
-----	---

#### FLAME PROOF GAUZE

With	G
Without	S

#### GASKET MATERIAL

Fluolion	CF
Perbunan/PTFE	P
Composite/PTFE	C



**SAFETY RELIEF VALVE**