



The Perolo 1 1/2" ATCO™ ball valve is designed to be used as an air inlet or as a fluid inlet/outlet valve. With a super compact design, the 1 1/2" ATCO™ is light & economic.

SPECIFICATION	
Nominal diameter	32mm (outlet 1 1/2")
Weight	1.2 Kg
Inlet Connection	4 x Ø11 x 103.5 PCD
Outlet Connection	1 1/2" BSP
Working Pressure	6.7 Bar
Test Pressure	10 Bar
Working Temperature	- 40° to +150°C (+250°C for HT)
Design Temperature	- 40° to +190°C

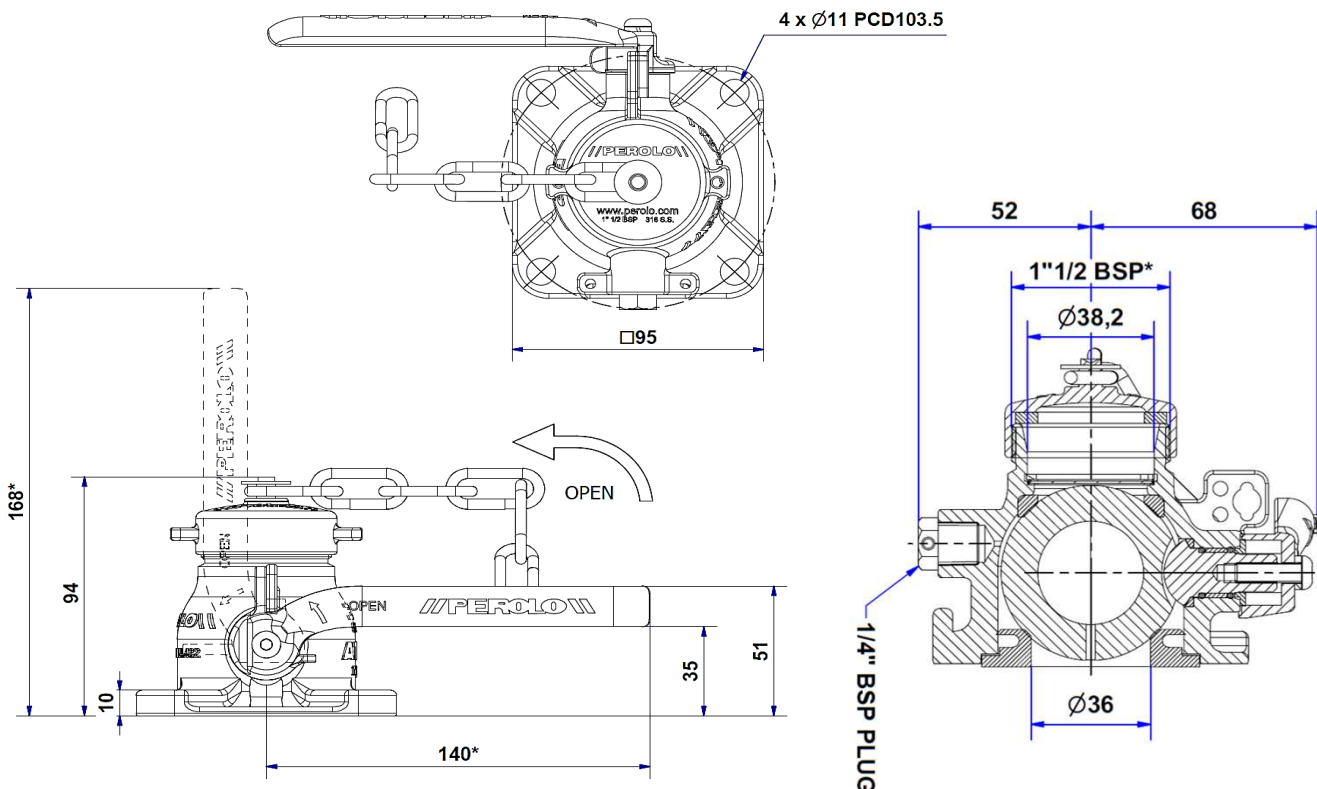
Temperature range vary according to the seal material

ACCESSORIES	
Weld-in flange	11 90 20 00 00
Recess Weld In Flange	11 91 12 00 00
Screw Kit	12 91 99 00 00
Filter Kit	11 14 01 95 00
Remote Control	RMT 33
Remote control Handle	11 14 15 91 00
Pressure gauge	70 18 06 00 95
1 1/2" BSP Cap	11 14 01 30 00

CONFORMITY, CERTIFICATION & APPROVAL	
Complies with ADR / IMDG / RID / EN14432	
Approved by Bureau Veritas - RMR	

STANDARD FEATURES (See Codification for option)	
Made of (material)	316L / 1.4409 stainless steel
Compact Design	Face To Face 94mm with Cap
Operation	Handle - 1/4 Turn or Remote Control
Ball seals material	PTFE

DIMENSIONAL DRAWING



Due to our policy of continuous product improvement, specifications may change without notice - Specification sheet PWA 11 14 01 20 00 J

It is the customer's responsibility to check the compatibility between valves material and transported product.

PEROLO SAS, 69 Rue des Maçons, 33390 Blaye, FRANCE -Phone : + 33 (0)5 5742 67 00 - Email : sales@perolo.com



CODIFICATION

STANDARD PART NUMBER

AD3 X 7 T 2 1C S 2 1 .

YOUR PART NUMBER

AD3 7

MATERIAL - Other on request

316L / 1.4409 stainless steel

X

MAWP

6.7 Bar

7

WORKING TEMPERATURE

Ball Seals PTFE +150°C

T

High temp +250°C ball seals PEEK

H

INLET FLANGE

4 x Ø11 x 103.5 PCD

2

CONNECTION & CAP

BSP without Cap

1

BSP with Standard Cap/Chain

1C

BSP with Reinforced Chain

1K

NPT with Standard Cap

2C

FILTER

Without

S

With

P

GAUGE CONNECTION & PLUG

1/4" BSP Connection & Plug

2

GAUGE PROTECTION

Without

1

With

2

REMOTE CONTROL HANDLE

Without remote control handle

.

With remote control handle

W

