

ND500 bolted manlid is designed to suit tank containers intended for chemical and foodstuff liquid products.



SPECIFICATION	
Nominal diameter	500 mm (20")
Weight	110 Kg
Fastening points	20 on a 586 PCD
Working Pressure	4 to 10 Bar
Test Pressure	6 to 15 bar
Working Temperature	-40° to + 190°C

Temperature range may vary according to the seal material

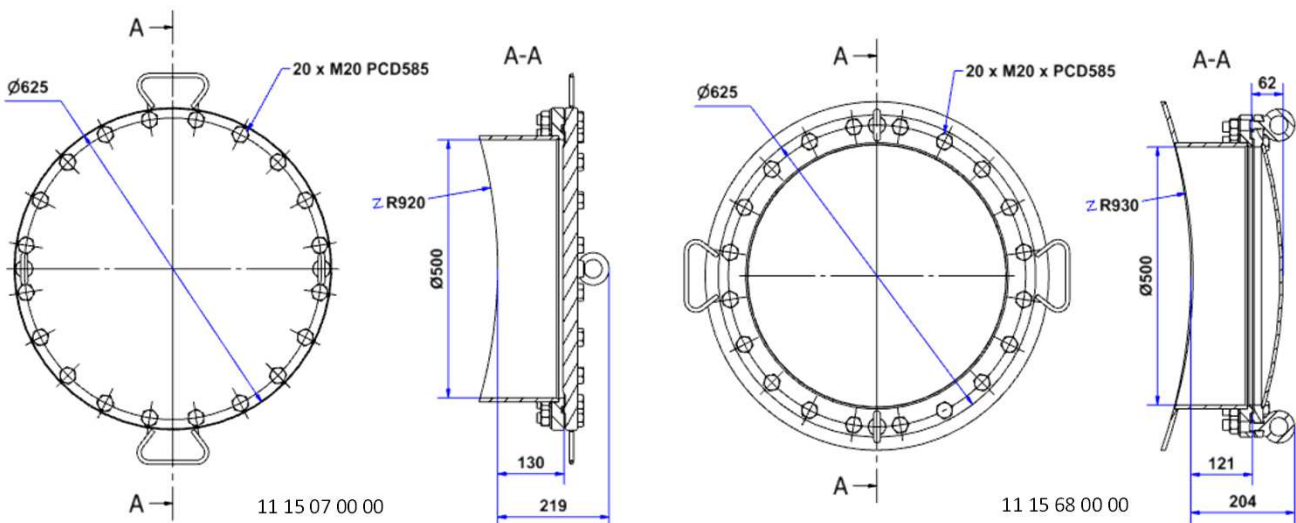
CONFORMITY, CERTIFICATION & APPROVAL
ADR/ RID/ IMDG/ ASME/ EN14025 (U STAMP on request)

STANDARD FEATURES	
Made of (material)	316L / 1.4404 stainless steel manlid
Seal material	EPDM/PTFE -NBR/PTFE -PTFE
Neckring height	100 mm - other on request
Neckring thickness	8 mm - other on request
Cover thickness	29 mm or 53mm domed dish end
Reinforcement ring thick.	8mm R900 to R1200
Handling	100 mm - other on request

ACCESSORIES	
Coverlid	11 15 07 20 00
Coverlid seal	11 15 07 00 03
Bolting kit	11 19 13 00 91
Neckring	11 15 07 10 00

CODIFICATION	
Complete ND500 bolted manlid - working pressure 6.67 Bar - made of 316L/1.4404 stainless steel with tongue and groove, PTFE seal	11 15 07 00 00
Complete ND500 bolted manlid - working pressure 6.67 Bar - made of 316L/1.4404 stainless steel -with reinforcement ring, tongue and groove, PTFE seal	11 15 68 00 00

DIMENSIONAL DRAWING



available with or without tongue & groove