

## 2" (DN50) H2O2 Breather HYDROGEN PEROXYDE H2O2 BREATHER



2" H2O2 breather - used on Hydrogen Peroxyde tanks to vent the tank during transport - This product is composed by 2 sintered discs. One in the body acts as a filter for the compressed air when pressurizing the tank in unloading operations. In case of tank rollover, the liquid flow rates goes through the second disc. The second disc limits the water flow rate.

The high filtering capability of the discs limit the liquid flow rate at 1 ltr/h max at 0.2 Bar pressure in the tank.

ACCESSORIES	
Weld-in flange 6xM10x105	11 91 35 00 00
Weld-in flange 4xM16x125	11 92 45 00 01
Stud kit 6 x M10 studs&nuts	11 91 35 91 00
Screw kit (4 x M16 screws)	17 12 10 99 03
Seal (6x11x105)	11 10 01 60 00
Seal (4x18x125)	11 90 29 00 00
Low flow filter	12 93 11 60 00
High flow filter	12 93 11 60 00B
2" BSP Cap with chain	12 93 11 21 00
Sintered disc kit	11 15 13 93 00

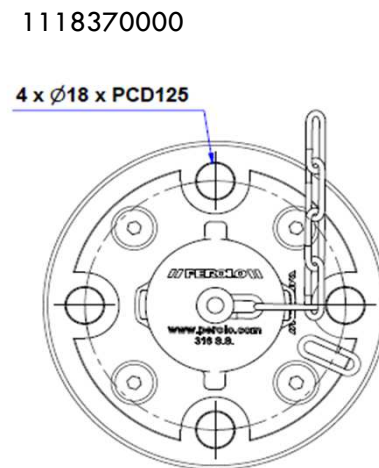
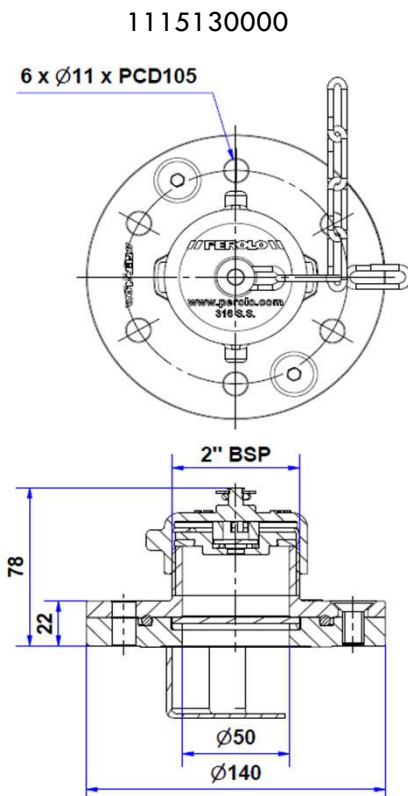
SPECIFICATION	
Nominal diameter	50mm (2")
Weight	3 kg
Connection	6 holes x Ø11 x 105PCD 4 holes x Ø18 x 125PCD
Working Pressure	4 Bar
Test Pressure	6 Bar
Working Temperature	-40° to +190°C

Temperature range may vary according to the seal material

CONFORMITY & CERTIFICATION	
Complies with ADR / IMDG / RID	
Notified Body : Lloyd's Register Verification - TUV	

STANDARD FEATURES (See Codification for option)	
Made of (material)	316L / 1.4409 stainless steel
Setting Gasket	PTFE & FEP/Silicone

### DIMENSIONAL DRAWING



## CODIFICATION

**H2O2 breather - low flow rate - drilling: 6 holes x Ø11 x 105 PCD**

PTFE filter Ø10 - water flow rate &lt; 1L/h at 0.2 bar pressure

Part Number: 11 15 13 00 00

**H2O2 breather - high flow rate - drilling: 6 holes x Ø11 x 105 PCD**

PTFE filter Ø15 - 1,5L/h &lt; water flow rate &lt; 3L/h

Part Number: 11 15 13 00 00 B

**H2O2 breather - low flow rate - drilling: 4 holes x Ø18 x 125 PCD**

PTFE filter Ø10 - water flow rate &lt; 1L/h at 0.2 bar pressure

Part Number: 11 18 37 00 00

**H2O2 breather - high flow rate - drilling: 4 holes x Ø18 x 125 PCD**

PTFE filter Ø15 - 1,5L/h &lt; water flow rate &lt; 3L/h

Part Number: 11 18 37 00 00 B

11 15 13 00 00



11 18 37 00 00

