



ND500 Multido Coverlid - designed to suit Perolo neckrings welded on tank containers and road tankers intended for chemical and foodstuff liquid product - for standard or low profile Perolo Multido Manlids.

SPECIFICATION	
Nominal diameter	500 mm (20")
Weight	17.0 Kg
Fastening points	6, 8 (others on request)
Working Pressure	4 Bar
Test Pressure	6 Bar
Working Temperature	-40° to + 200°C

Temperature range may vary according to the seal material

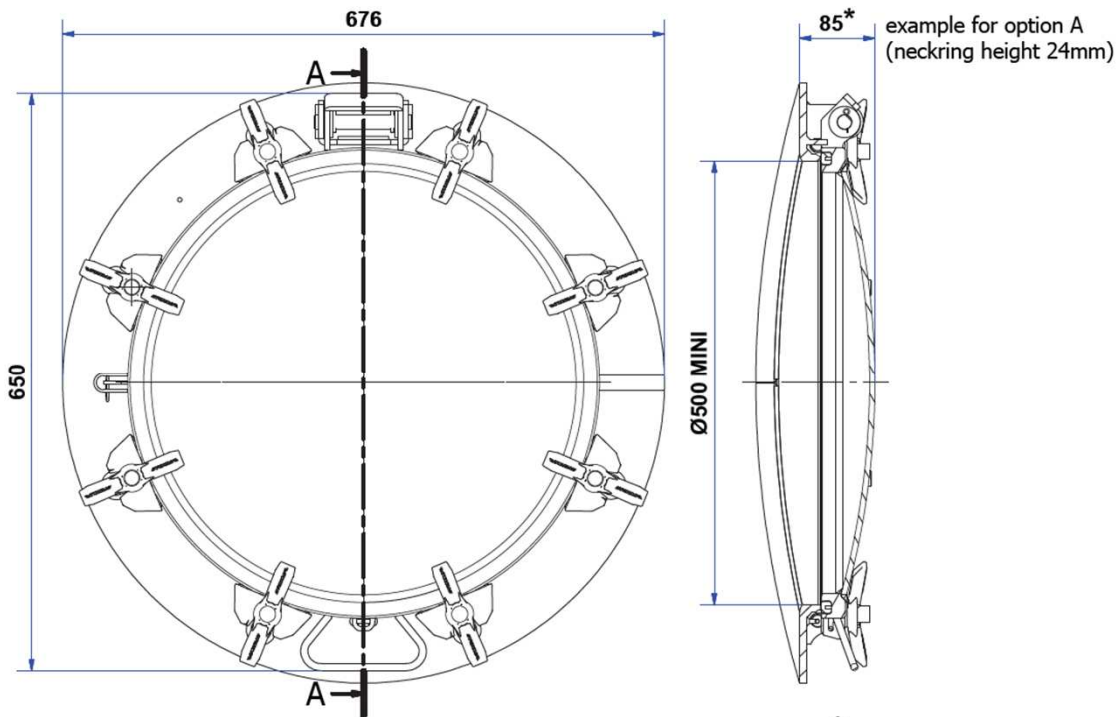
CONFORMITY, CERTIFICATION & APPROVAL	
ADR / RID / IMDG / ASME / EN14025	
Lloyd's Register, Bureau Veritas	

ACCESSORIES	
Coverlid seal PTFE/EPDM	11 13 75 00 19
Swingbolt ass. (58mm)	12 93 86 92 00
Swingbolt ass. (83mm)	12 93 86 91 00
Hinge kit	12 13 68 91 00

STANDARD FEATURES (See Codification for option)	
Made of (material)	316L / 1.4404 stainless steel manlid
Cover thickness	6 mm
Perfect tightness	Trapezoidal seal groove - Seal 14x14
Special product	Double Skin Insulated cover on request

### DIMENSIONAL DRAWING

Low profile : neckring ≤ 40 mm  
 Standard profile : neckring > 40 mm



\* depending on neckring height

## CODIFICATION

### STANDARD PART NUMBER

CM S 5 5 4 D 8 S T

### YOUR PART NUMBER

CM

#### MATERIAL - Other on request

316L stainless steel

S

#### NOMINAL DIAMETER

ND 500

5

#### DISHED BOTTOM THICKNESS

5 mm (others on request)

5

#### DESIGN PRESSURE

3 Bar (test pressure 4.5 bar)

3

4 Bar (test pressure 6 bar)

4

#### FINISHING

No surface treatment

B

Acid Etched

D

HALAR Coated

H

Electropolished

E

Sand blasted/protected (carbon st)

B

#### FASTENING POINTS

6 fastening points

6

8 fastening points

8

#### TYPE OF MANLID

Low profile (neckring < 58mm height)

S

Standard (neckring ≥ 58mm height)

D

#### SEALING

Standard sealing

S

T.I.R. sealing

T

no sealing

W

