

1 1/2" Threaded ATCO™ Dual Outlet ND32 Ball Valve AT4X



The Perolo 1 1/2" ATCO™ ball valve is designed to be used as an air inlet or as a fluid inlet/outlet valve.

SPECIFICATION

Nominal diameter	32mm (outlet 1 1/2")
Weight	2.3 Kg
Inlet Connection	4 holes x Ø10.5 x 103.5 PCD
Outlet Connection	1 1/2" BSP &/or 1 1/2" NPT
Working Pressure	6 Bar
Test Pressure	9 Bar
Working Temperature	- 40° to +150°C (+180° for HT)
Design Temperature	- 40° to +190°C

Temperature range vary according to the seal material

CONFORMITY, CERTIFICATION & APPROVAL

Complies with ADR / IMDG / RID / EN14432

Approved by Bureau Veritas

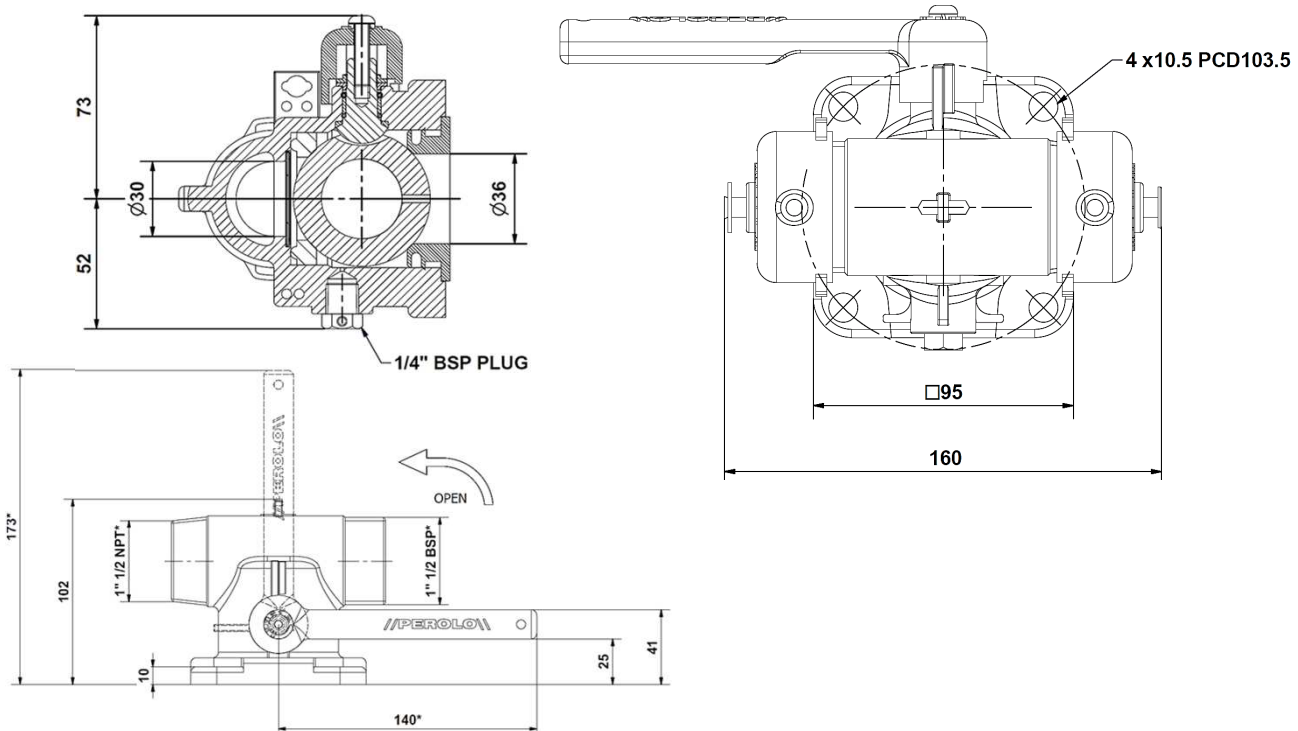
ACCESSORIES

Weld-in flange	11 90 20 00 00
Screw kit	12 91 99 00 00
Remote control	RMT 33
Remote control handle	12 96 07 16 00
Pressure gauge	70 18 06 00 95
1 1/2" BSP Cap	11 14 01 30 00
1 1/2" NPT Cap	12 96 03 00 00

STANDARD FEATURES (See Codification for option)

Made of (material)	316L / 1.4409 stainless steel
Compact Design	Height 102mm
Operation	Handle - 1/4 Turn or Remote Control
Ball seals material	PTFE

DIMENSIONAL DRAWING



Due to our policy of continuous product improvement, specifications may change without notice - Specification sheet PWA 12 96 08 20 00 J

It is the customer's responsibility to check the compatibility between valves material and transported product.

PEROLO SAS, 69 Rue des Maçons, 33390 Blaye, FRANCE -Phone : + 33 (0)5 5742 67 00 - Email : sales@perolo.com



CODIFICATION

STANDARD PART NUMBER

AT4	X	6	T	2	3C	S	2	1	.	.
-----	---	---	---	---	----	---	---	---	---	---

YOUR PART NUMBER

AT4		6	T							
-----	--	---	---	--	--	--	--	--	--	--

MATERIAL - Other on request

316L / 1.4409 stainless steel	X
-------------------------------	---

MAWP

6.7 Bar	6
---------	---

WORKING TEMPERATURE

Ball Seals PTFE +150°C	T
------------------------	---

High temp +180°C ball seals PTFE/Gr	H
-------------------------------------	---

INLET FLANGE - other on request

4 x Ø10.5 x 103.5 PCD	2
-----------------------	---

CAP

With Standard Cap (BSP & NPT)	3C
-------------------------------	----

Without Cap	3
-------------	---

FILTER

Without	S
---------	---

With	P
------	---

GAUGE CONNECTION & PLUG

With 1/4" BSP Connect. without Plug	0
-------------------------------------	---

With 1/4" NPT Connection & Plug	1
---------------------------------	---

With 1/4" BSP Connection & Plug	2
---------------------------------	---

GAUGE PROTECTION

Without	1
---------	---

With	2
------	---

CONNECTION

2 x 1 1/2" BSP	B
----------------	---

1 x 1 1/2" BSP & 1 x 1 1/2" NPT	.
---------------------------------	---

REMOTE CONTROL HANDLE

Without remote control handle	.
-------------------------------	---

With remote control handle	W
----------------------------	---

