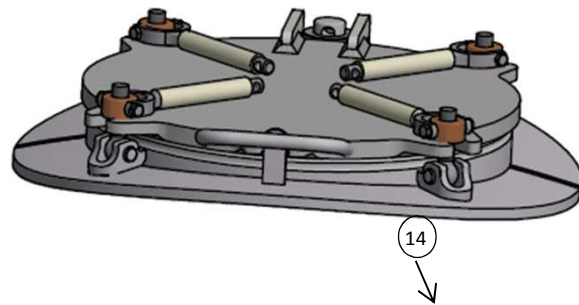


MAINTENANCE

ITEM	QTY	DESIGNATION	PART N°
Coverlid, Neckring & seal*			
2	1	ND450 Coverlid	13 15 11 10 00
3	1	Seal Nitrile 10 x 14 rectangular	13 15 01 00 04
3	1	Seal EPDM 10 x 14 rectangular	13 15 24 00 04
1	1	Neckring	13 15 12 10 00
Articulation ring kit			
9	1	Articulation ring	13 15 12 94 00
10	2	Articulation pin	
Swingbolt assembly - Extended Wing Nuts			
5	1	Pivot pin	13 15 12 91 00
4	1	Eye bolt	
8	1	Wing nut (Carbon St)	
7	1	6x8 TBHC Screw	
6	1	M6 Washer	
Swingbolt assembly - Folding Hand Nuts			
5	1	Pivot pin	13 15 02 91 00
4	1	Eye bolt	
14	1	Wing nut	
7	1	6x8 TBHC Screw	
6	1	M6 Washer	



*for other seal material, please contact our sales department

