

# 4" CHEMFLOW BITUMEN

Footvalve  
 17 16 01 00 00



4" CHEMFLOW™ BITUMEN 90° pneumatic footvalve is designed to discharge hot bitumen from road tankers. Made of 304L 1.4307 stainless Steel, this product is designed with appropriate seals to work in a high temperature environment (250°C). The conical poppet with blades facilitates the opening in case of solidification of the bitumen. Time of discharge is improved due to the 40mm stroke. The footvalve can be manually operated in case of pneumatic failure.

SPECIFICATION	
Nominal diameter	100 mm (4")
Weight	16.4 Kg
Inlet flange	6x Ø18 + 2x Ø17 on a 180 PCD
Outlet flange	8x Ø18 on a 180 PCD
Working pressure	4 Bar (pneumatic air pressure 4 to 10 Bar)
Test pressure	6 Bar
Working temperature	-40° to +250°C
Design temperature	-40° to +250°C

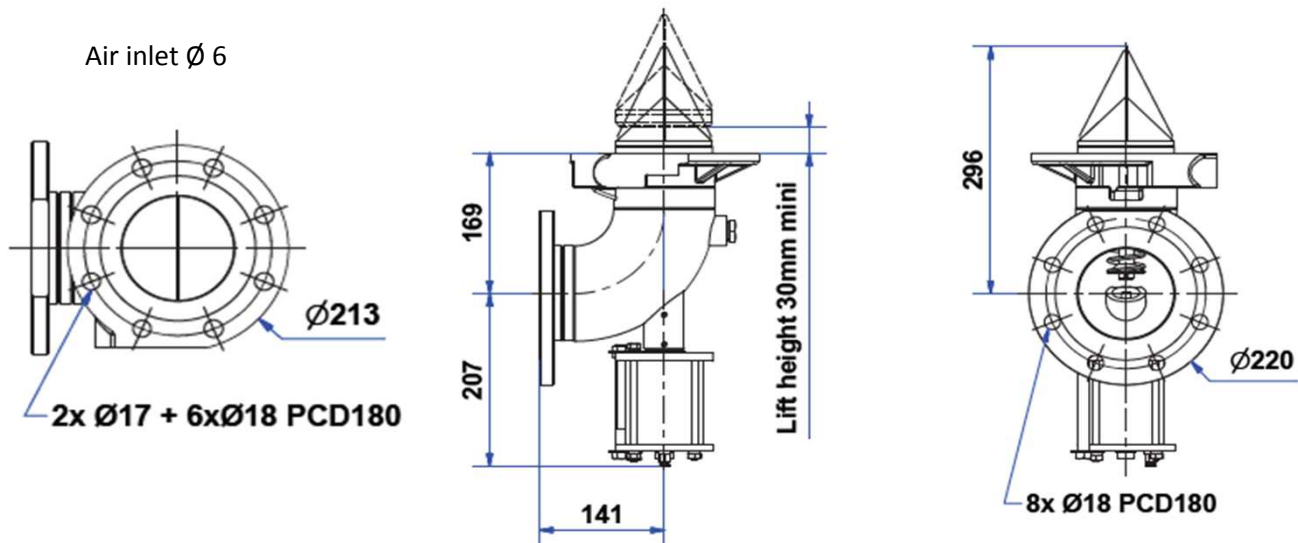
NB: temperature range vary according to o'ring material

CONFORMITY, CERTIFICATION & APPROVAL	
ADR / RID / EN14433	
Approved by : Bureau Veritas	

STANDARD FEATURES (See Codification for option)	
Made of (material)	304L / 1.4307 stainless steel
Angle	90°
Body length	-
O'rings material	PFA/Silicone
Seals material	PFA/Silicone and graphite loaded PTFE
Operating	Simple effect actuator (manually operated in case of pneumatic failure)
Footvalve spring	Inside the body

ACCESSORIES	
Weld-in flange	17 16 01 70 00
Weld-in fl. steam. heated	17 16 01 70 10
Outlet square flange	17 11 38 10 02
Seal	11 15 26 00 01
Bolting kit inlet flange	17 16 01 93 00
Bolting kit outlet flange	17 16 01 94 00

## DIMENSIONAL DRAWING



\*other drilling options on request