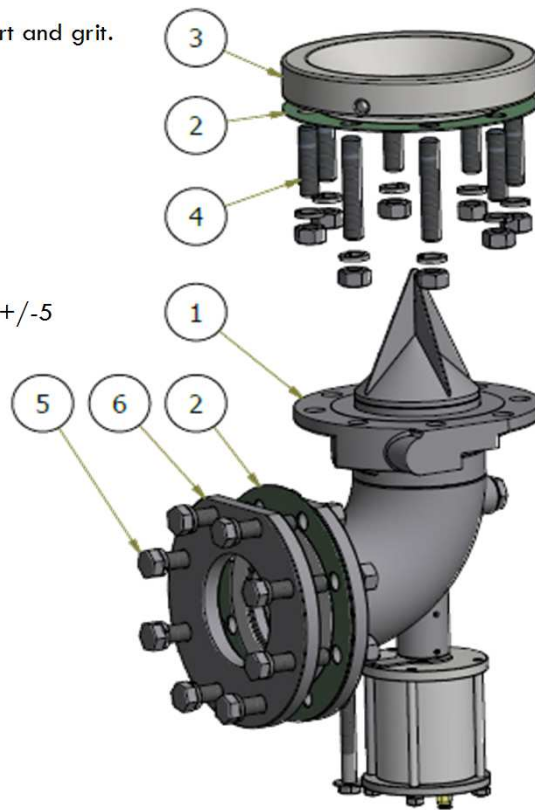


INSTALLATION



Ensure that the Inlet flange and gasket are clean; free from dirt and grit.

1. Screw the studs into the tank container flange.
 Take careful note of the position of the studs.
2. Fit the PTFE gasket.
3. Fit the CHEMFLOW Footvalve in position.
4. Tighten the studs and nuts at a maximum torque of 50 N.m. +/-5
5. Refer to PWAGENE001 for bolt tightening sequence.



ITEM	DESCRIPTION	SPECIFICATION	PART N°
6	Outlet flange	ext Ø220 mm, int Ø106mm, thickness 16mm, 8 x Ø18 x PCD 180, 304L stainless steel	17 11 38 10 02
5	Outlet screw kit	Outlet Flange Screw Kit 8x M16-65 containing 8 screws, 8 washers and 8 nuts	17 16 01 94 00
4	Inlet studs kit	Inlet Flange Kit 6 Studs M16-50 + 2 studs M16-80, 8 washers and 8 nuts	17 16 01 93 00
3	Weld in flange steam heated	ext Ø220 mm, int Ø114.3 mm, thickness 36 mm, 8 x M16 x PCD 180, 316L stainless steel	17 16 01 70 10
3	Weld in flange	ext Ø220 mm, int Ø114.3 mm, thickness 34 mm, 8 x M16 x PCD 180, 316L stainless steel	17 16 01 70 00
2	Gasket	ext Ø220 mm, int Ø117 mm, 8 x Ø18 x PCD 180, CNAF / PTFE	11 15 26 00 01
1	CHEMFLOW MK2 4" BITUMEN	4" footvalve, inlet flange 6xØ18+2xØ17xPCD180, outlet flange 8xØ18xPCD180	17 16 01 00 00