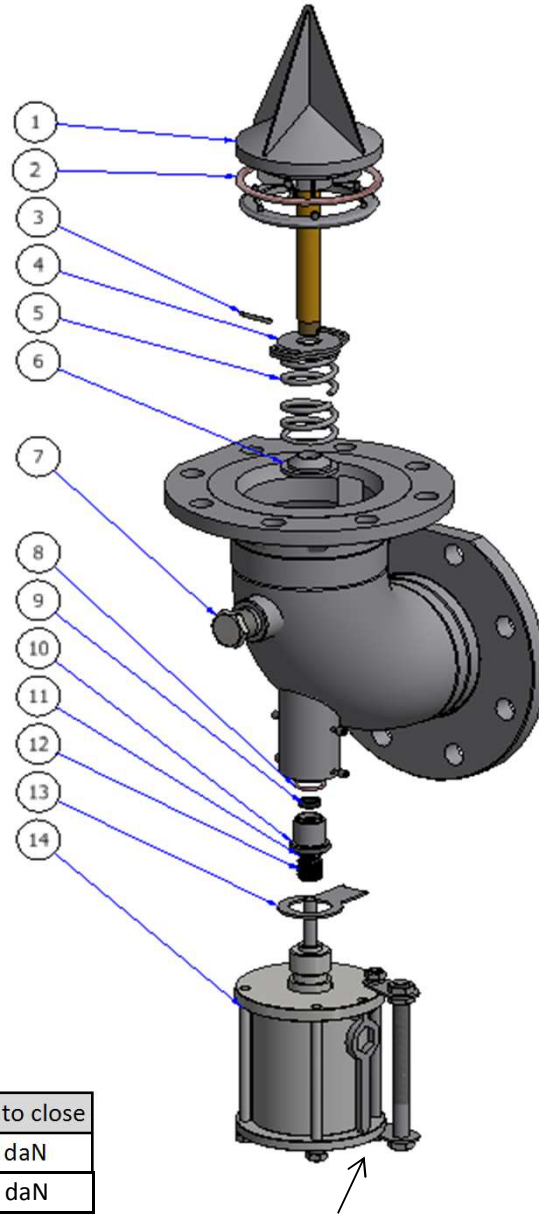


MAINTENANCE



ITEM	QTY	DESIGNATION	PART N°
Poppet Seal:			17 11 71 95 00
2	1	O'ring, PFA Silicon	70 10 17 00 30
Poppet Kit			17 16 01 90 00
1,2	1	Poppet, Stainless steel & O'ring	17 16 01 60 00
3	1	Split pin, Stainless steel	-
Spring Kit			17 16 01 91 00
4	1	Spring plate, Stainless steel	-
5	1	Spring, Stainless steel	17 16 01 00 10
6	1	Disc, Stainless steel	-
3	1	Split pin, Stainless steel	-
Cylinder Seals Kit			17 16 01 92 00
8	1	O'ring, PFA Silicon	70 10 17 00 31
9	1	Wiper spring seal, PTFE Graphite	70 10 91 00 41
10	1	Cartridge, Stainless steel	-
11	1	V Washer, Stainless steel	-
12	4	Chevron Packing, PTFE Graphite	17 11 71 00 06
13	1	Cartridge Tool, Stainless steel	-
Actuator kit*:			17 16 01 50 00
14	1	Actuator, Stainless steel	-
-	1	Manual emergency opening key	-
Plug kit:			on request
7	1	3/4" NPT Plug, Stainless steel	70 12 16 37 19



*Including manual emergency opening " key "

Pressure	Break to open	End to close	Break to close
4 bar	201 daN	175 daN	51 daN
5 bar	251 daN	225 daN	52 daN
6 bar	301 daN	275 daN	53 daN
10 bar	502 daN	476 daN	54 daN

The tightening torque of the cylinder is 20 Nm. do not exceed torque it can damage the packing
 It must be checked every 18 months or in case of leakage.

BOTTOM DISCHARGE