

Perolo 316L stainless steel adaptor flanges are designed to be fitted on tank containers, IBCs, road tankers, rail tank cars and storage tanks in order to fit valves and accessories for tank filling and discharge purposes.


SPECIFICATION


- 316L stainless steel construction
- RADIUS angles
- Serrated gasket contact area

If you require a gasket or bolting kit for a specific valve, please refer to the installation sheet of that valve


OPTIONS


- Other diameter
- Other material (carbon steel, 304L, 904L...)
- Other drilling


Part Number:	with 1/4" BSP gauge connection & gauge protection
11 91 15 00 00	
	Internal - external diameter
	2 1/2" BSP thread. -127mm
	Thickness
	23 mm
Drilling	
	6 x Ø11 x 105 PCD
Seal (CNAF/PTFE)	11 10 01 60 00

Part Number:	with 1/4" BSP gauge connection
11 91 15 00 01	
	Internal - external diameter
	2 1/2" BSP thread. - 127mm
	Thickness
	23 mm
Drilling	
	6 x Ø11 x 105 PCD
Seal (CNAF/PTFE)	11 10 01 60 00

Part Number:	1 1/2" BSP PN10 flange with internal thread
12 96 07 17 00	
	Internal - external diameter
	1 1/2" BSP thread. -160mm
	Thickness
	9 mm
Drilling	
	4 x Ø18 x 125 PCD
Seal (CNAF/PTFE)	12 91 90 00 00

Part Number:	2" BSP ND50 PN10 flange with internal thread
12 92 25 00 00	
	Internal - external diameter
	2" BSP threaded - 165mm
	Thickness
	16 mm
Drilling	
	4 x Ø18 x 125 PCD
Seal (CNAF/PTFE)	11 90 29 00 00

Part Number:	1 1/2" BSP PN10/PN16 flange with internal thread
11 93 04 00 00	
	Internal - external diameter
	1 1/2" BSP thread. -150mm
	Thickness
	12 mm
Drilling	
	4 x Ø18 x 110 PCD
Seal (CNAF/PTFE)	12 91 90 00 00

Part Number:	ND50 Adaptor flange
11 93 11 00 00	
	Internal - external diameter
	50 mm - 165 mm
	Thickness
	8,5 mm
Drilling	
	4 x Ø18 x 125 PCD
Seal (CNAF/PTFE)	11 90 29 00 00




Part Number:	ND50 Adaptor flange
11 95 25 00 00	
	Internal - external diameter
	50 mm - 165 mm
	Thickness
	20 mm
	Drilling
	4 x Ø18 x 125 PCD
	4 x M16 x 125 PCD
Seal (CNAF/PTFE)	11 90 29 00 00

Part Number:	ND80 Adaptor flange for clamped 3" TANKFLY
12 91 41 00 03	
	Internal - external diameter
	90 mm - 200 mm
	Thickness
	21 mm
	Drilling
	4 x Ø18 x 160 PCD
	4 x M16 x 160 PCD
Seal (CNAF/PTFE)	12 91 40 00 00


Part Number:	ND80 Adaptor flange
11 94 50 00 00	
	Internal - external diameter
	80 mm - 200 mm
	Thickness
	21 mm
	Drilling
	4 x M16 x 152,4 PCD
	4 x Ø18 x 160 PCD
Seal (CNAF/PTFE)	12 92 04 00 00 (ND80)
Seal (CNAF/PTFE)	12 91 40 00 00 (ND80)

Part Number:	ND50 to ND80 2" siphon tube guide
11 97 96 00 00	
	Internal - external diameter
	54 mm - 200 mm
	Thickness - Tube length
	28 mm - 50 mm
	Drilling
	4 x M16 x 120,6 PCD
	4 x Ø18,5 x 152,4 PCD
Seal (CNAF/PTFE)	11 90 29 00 60 (ND50)
Seal (CNAF/PTFE)	12 91 40 00 30 (ND80)


Part Number:	2" siphon tube guide
11 96 41 30 00	
	Internal - external diameter
	50 mm - 200 mm
	Thickness - Tube length
	31 mm - 41 mm
	Drilling
	4 x Ø18 x 160 PCD
	4 x M16 x 125 PCD
Seal (CNAF/PTFE)	11 90 29 00 60 (ND50)
Seal (CNAF/PTFE)	11 93 98 00 00 (ND80)

Part Number:	2" siphon tube guide
11 12 67 20 00	
	Internal - external diameter
	52 mm - 104,5 mm
	Thickness - Tube length
	17 mm - 46 mm
	Drilling
	no drilling
Seal (CNAF/PTFE)	12 92 08 00 03

Part Number:	3" siphon tube guide
12 92 18 10 00	
	Internal - external diameter
	80 mm - 200 mm
	Thickness - Tube length
	10 mm - 70 mm
	Drilling
	4 x Ø18 x 160 PCD
	6 x Ø14 x 168 PCD
Seal (CNAF/PTFE)	17 11 23 00 00

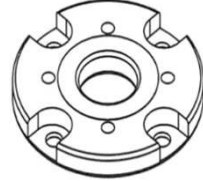
Part Number:	3" siphon tube guide
11 93 82 00 00	
	Internal - external diameter
	80 mm - 200 mm
	Thickness - Tube length
	10 mm - 70 mm
	Drilling
	8 x Ø18 x 160 PCD
Seal (CNAF/PTFE)	11 92 85 00 00



Part Number:	ND50 to ND32 Adaptor Flange
11 95 57 00 00	
	Internal - external diameter
	32-50 mm - 165 mm
	Thickness
	20 mm
Drilling	4 x M10 x 103,5 PCD
	4 x Ø18 x 125 PCD
Seal (CNAF/PTFE)	11 92 58 00 00 (ND32)
Seal (CNAF/PTFE)	11 90 29 00 00 (ND50)

Part Number:	ISO PN16 ND80 to ND40
11 95 95 00 00	
	Internal - external diameter
	40-80 mm - 200 mm
	Thickness
	23 mm
Drilling	4 x M16 x 110 PCD
	4 x Ø18 x 160 PCD
Seal (CNAF/PTFE)	12 91 90 00 00 (ND40)
Seal (CNAF/PTFE)	12 91 40 00 00 (ND80)

Part Number:	ISO PN16 ND80 to ND50
11 92 86 00 00	
	Internal - external diameter
	50-88 mm - 200 mm
	Thickness
	21 mm
Drilling	4 x M16 x 125 PCD
	4 x Ø18 x 160 PCD
Seal (CNAF/PTFE)	11 90 29 00 00 (ND50)
Seal (CNAF/PTFE)	12 91 40 00 00 (ND80)

Part Number:	ISO PN16 ND80 to ND62 Adaptor flange
11 92 95 00 00	
	Internal - external diameter
	62 mm - 200 mm
	Thickness
	21 mm
Drilling	4 x M16 x 125 PCD
	4 x Ø18 x 160 PCD
Seal (CNAF/PTFE)	11 90 29 00 00 (ND50)
Seal (CNAF/PTFE)	12 91 40 00 00 (ND80)

