

Perolo 316L stainless steel blind flanges are designed to close valves or flanges welded on tank containers, IBCs, road tankers, rail tank cars and storage tanks.

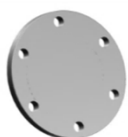
SPECIFICATION


- 316L stainless steel construction
- RADIUS angles
- Serrated gasket contact area

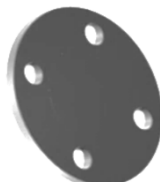
If you require a gasket or bolting kit for a specific valve, please refer to the installation sheet of that valve


OPTIONS


- Other diameter
- Other material (carbon steel, 304L, 904L...)
- Other drilling

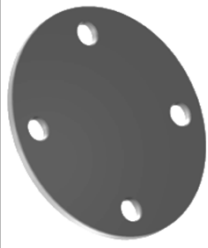
Part Number:	for ND65 BSP Safety relief valve provision
11 90 01 00 00	
	Tank Type - Thickness
	T1 to T20 - 8,5mm EN14025
	External diameter
	127 mm
Drilling	
	6 x Ø11 x 105 PCD
Seal (CNAF/PTFE)	11 10 01 60 00

11 92 57 00 00	for ND32 ball valve provision
11 95 86 00 00	
	Tank Type - Thickness
	T1 to T14 - 8,5mm
	External diameter
	127 mm
Drilling	
	4 x Ø12 x 103.5 PCD
Seal (CNAF/PTFE)	11 92 58 00 00

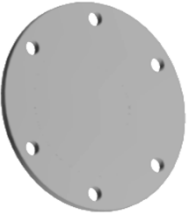
11 92 99 00 00	For ND40" flanged ball valve ISO PN16 ND40
11 95 87 00 00	
	Tank Type - Thickness
	T1 to T14 - 8,5mm
	T1 to T22 - 13,5mm EN14025
	External diameter
	150 mm
Drilling	
	4 x Ø18 x 110 PCD
Seal (CNAF/PTFE)	12 91 90 00 00

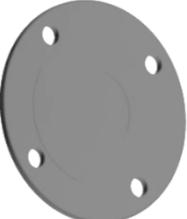
17 12 12 16 01	For 2" ball or butterfly valve ISO PN16 ND50
11 95 88 00 00	
	Tank Type - Thickness
	T1 to T14 - 8,5mm
	External diameter
	165 mm
Drilling	
	4 x Ø18 x 125 PCD
Seal (CNAF/PTFE)	11 90 29 00 00


11 90 48 00 00	for ND65 or ND80 flanged Safety relief valve provision ISO PN16 ND65
11 95 89 00 00	
	Tank Type - Thickness
	T1 to T14 - 8,5mm
	T1 to T22 - 13,5mm EN14025
	External diameter
	190 mm
Drilling	
	4 x Ø18 x 145 PCD
Seal (CNAF/PTFE)	12 92 04 00 00

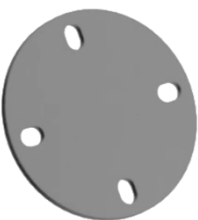
11 90 48 00 00	for ND65 or ND80 flanged Safety relief valve provision ISO PN16 ND65
11 95 89 00 00	
	Tank Type - Thickness
	T1 to T14 - 8,5mm
	External diameter
	190 mm
Drilling	
	4 x Ø18 x 145 PCD
Seal (CNAF/PTFE)	12 92 04 00 00



11 90 13 00 00	For 3" ball or butterfly valve
11 95 94 00 00	
	Tank Type - Thickness T1 to T14 - 8,5mm T1 to T22 - 13,5mm EN14025
	External diameter 200 mm
	Drilling 6 x Ø14 x 168 PCD
Seal (CNAF/PTFE)	11 90 92 00 00

12 85 49 00 01	For 3" ball or butterfly valve ISO PN16 ND80
11 95 90 00 00	
	Tank Type - Thickness T1 to T14 - 8,5mm T1 to T22 - 13,5mm EN14025
	External diameter 200 mm
	Drilling 4 x Ø18 x 160 PCD
Seal (CNAF/PTFE)	12 91 40 00 00

Part Number:	Dished for ND80 Butterfly Valve
11 90 41 00 00	
	Tank Type - Thickness T1 to T14 - 8,5mm
	External diameter 200 mm
	Drilling 4 x Ø18 x 160 PCD
Seal (CNAF/PTFE)	12 91 40 00 00

Part Number:	Slotted holes, for 3" ball or butterfly valve
11 93 09 00 00	
	Tank Type - Thickness T1 to T14 - 8,5mm
	External diameter 200 mm
	Drilling 4 x Ø18 x 160 PCD
Seal (CNAF/PTFE)	12 91 40 00 00

