



PEROLO flat CNAF/PTFE Gaskets are to be placed in between two flanges and ensure leak tightness.

**SPECIFICATION**

- CNAF Gasket with PTFE product contact area
- U shaped PTFE profile
- Drillings depending on application
- Dimensions and shape depending on application

**OPTIONS**

- Other materials (Fluolion, Gylon,...)
- Full PTFE seals
- Other drillings
- Other diameters

If you require a gasket for a specific valve, please refer to the installation sheet of that valve

**ND 40 1 1/2" Gaskets**

<b>Part number:</b> 12 91 90 00 00	for ATCO ND40 ball valve & ATCO ND32 flanged ball valve
	Shape: Round
	Material: CNAF/PTFE
	Thickness: 2.5 mm
	Internal diameter: <b>45 mm</b>
	External diameter: <b>150 mm</b>
	Drilling: <b>4 slots x 19 x min101.4 PCD</b>

<b>Part number:</b> 11 92 58 00 00	for provision ATCO ND40 ball valve & ATCO ND32 ball valve
	Shape: Round
	Material: CNAF/PTFE
	Thickness: 2.5 mm
	Internal diameter: <b>45 mm</b>
	External diameter: <b>127 mm</b>
	Drilling: <b>4 x Ø12 x 103.5 PCD</b>

**ND 50 2" & ND 65 2 1/2" Gaskets**

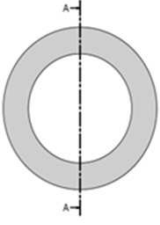
<b>Part number:</b> 11 90 29 00 00	for ND50 ATCO ball valves and TANKFLY butterfly valves
	Shape: Round cut
	Material: CNAF/PTFE
	Thickness: 3 mm
	Internal diameter: <b>50 mm</b>
	External diameter: <b>165 mm</b>
	Drilling: <b>4 x Ø18 x 125 PCD</b>

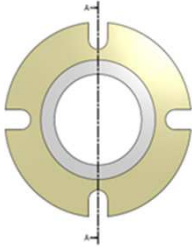
<b>Part number:</b> 11 10 01 60 00	for ND65 MEGASUPERVENTIX Safety relief valve
	Shape: Round
	Material: CNAF/PTFE
	Thickness: 2.5 mm
	Internal diameter: <b>76 mm</b>
	External diameter: <b>127 mm</b>
	Drilling: <b>6 x Ø11 x 105 PCD</b>

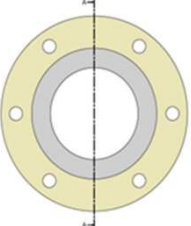
<b>Part number:</b> 12 91 31 00 00	for ND65 MEGASUPERVENTIX Safety relief valve: setting gasket
	Shape: Round
	Material: CNAF/PTFE
	Thickness: 2.5 mm
	Internal diameter: <b>75,5 mm</b>
	External diameter: <b>90 mm</b>
	Drilling: <b>no drilling</b>

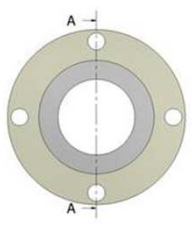


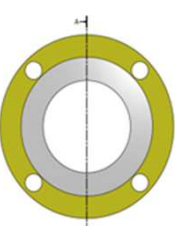
## ND 80 3" Gaskets

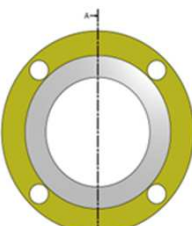
Part number: 17 12 21 10 00	for ND80 CHEMFLY light bottom discharge
	Shape: Round Material: CNAF/PTFE Thickness: 2.5 mm Internal diameter: <b>78 mm</b> External diameter: <b>116 mm</b> Drilling: <b>no drilling</b>

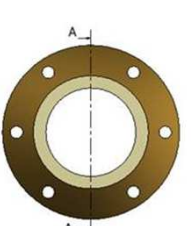
Part number: 12 92 04 00 00	for ND80 MEGASUPERVENTIX Safety relief valve
	Shape: Round Material: CNAF/PTFE Thickness: 2.5 mm Internal diameter: <b>82 mm</b> External diameter: <b>176 mm</b> Drilling: <b>4 slots x Ø18 x min145 PCD</b>

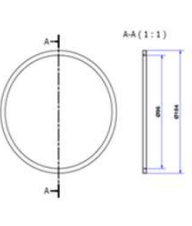
Part number: 11 90 92 00 00	for 3" butterfly valve inlet flange
	Shape: Round Material: CNAF/PTFE Thickness: 2.5 mm Internal diameter: <b>94 mm</b> External diameter: <b>200 mm</b> Drilling: <b>6 x Ø14 x 168 PCD</b>

Part number: 11 98 83 00 00	for 3" top provision
	Shape: Round Material: CNAF/PTFE Thickness: 2.5 mm Internal diameter: <b>80 mm</b> External diameter: <b>185 mm</b> Drilling: <b>4 x Ø18 x 160 PCD</b>

Part number: 12 91 40 00 00	for 3" butterfly valve & 3" ball valves inlet and outlet flanges
	Shape: Round Material: CNAF/PTFE Thickness: 2.5 mm Internal diameter: <b>94 mm</b> External diameter: <b>185 mm</b> Drilling: <b>4 x Ø18 x 160 PCD</b>

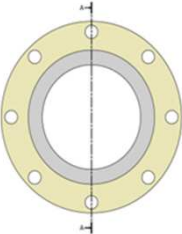
Part number: 11 93 98 00 00	for 3" butterfly valve & 3" ball valves inlet and outlet flanges
	Shape: Round Material: CNAF/PTFE Thickness: 3.5 mm Internal diameter: <b>100 mm</b> External diameter: <b>185 mm</b> Drilling: <b>4 x Ø18 x 160 PCD</b>

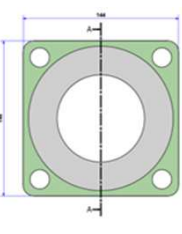
Part number: 11 97 21 00 00	for 3" butterfly valve & 3" ball valves inlet and outlet flanges
	Shape: Round Material: CNAF/PTFE Thickness: 2.5 mm Internal diameter: <b>101.6 mm</b> External diameter: <b>200 mm</b> Drilling: <b>6 x Ø14 x 168 PCD</b>

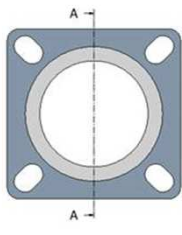
Part number: 12 92 08 00 03	to be placed between syphon tube guide & ND80 weld-in flange
	Shape: Round Material: CNAF/PTFE Thickness: 3 mm Internal diameter: <b>95 mm</b> External diameter: <b>105 mm</b> Drilling: <b>no drilling</b>

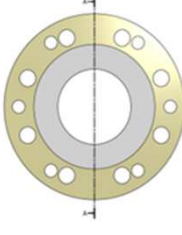


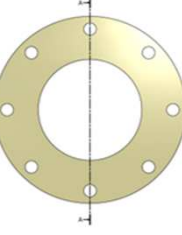
**ND 80 3" & ND 100 4" Gaskets for bottom discharge**

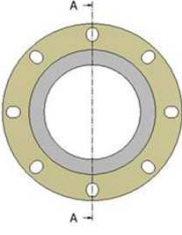
Part number: 12 91 20 00 00	3" bottom discharge: fit between 30° or 45 or 90° footvalve and tank
	Shape: Round
	Material: CNAF/PTFE
	Thickness: 2.5 mm
	Internal diameter: <b>114 mm</b>
	External diameter: <b>200 mm</b>
	Drilling: <b>8 x Ø14 x 178 PCD</b>

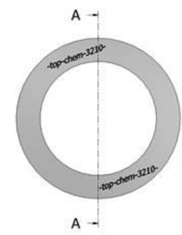
Part number: 12 91 39 00 00	3" bottom discharge: fit between footvalve and butterfly valve
	Shape: Square
	Material: CNAF/PTFE
	Thickness: 2.5 mm
	Internal diameter: <b>81 mm</b>
	External dia: <b>144 x 144 mm</b>
	Drilling: <b>4 x Ø18 x 160 PCD</b>

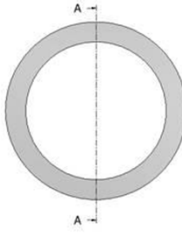
Part number: 12 91 42 00 00	3" bottom discharge: fit between butterfly valve and outlet nozzle
	Shape: Square
	Material: CNAF/PTFE
	Thickness: 2 mm
	Internal diameter: <b>90 mm</b>
	External dia: <b>144 x 144 mm</b>
	Drilling: <b>4 slots x Ø18 x 145-162PCD</b>

Part number: 17 11 23 00 00	for 3" CHIM footvalve
	Shape: Round
	Material: CNAF/PTFE
	Thickness: 2,5 mm
	Internal diameter: <b>81 mm</b>
	External diameter: <b>200 mm</b>
	Drilling: <b>8xØ18x160PCD &amp; 6xØ14x168PCD</b>

Part number: 17 11 03 90 02	for 4" CHEMFLOW bottom discharge
	Shape: Round
	Material: CNAF/PTFE
	Thickness: 3 mm
	Internal diameter: <b>114 mm</b>
	External diameter: <b>213 mm</b>
	Drilling: <b>8 x Ø14 x 184.2 PCD</b>

Part number: 11 11 59 90 01	for 4" NEATFLOW bottom discharge
	Shape: Round
	Material: CNAF/PTFE
	Thickness: 3 mm
	Internal diameter: <b>114 mm</b>
	External diameter: <b>213 mm</b>
	Drilling: <b>8 slots x Ø14 x 184.2-190PCD</b>

Part number: 19 90 05 30 01	for 4" rail tank car bottom discharge with 2 cables
	Shape: Round
	Material: TOPCHEM 3210
	Thickness: 2 mm
	Internal diameter: <b>115 mm</b>
	External diameter: <b>162 mm</b>
	Drilling: <b>no drilling</b>

Part number: 19 90 05 40 01	for rail tank car aeration valve
	Shape: Round
	Material: PTFE
	Thickness: 2 mm
	Internal diameter: <b>169 mm</b>
	External diameter: <b>218 mm</b>
	Drilling: <b>no drilling</b>

