

Perolo 316L stainless steel weld-in flanges are designed to be welded on top of tank containers, IBCs, road tankers, rail tank cars and storage tanks in order to fit valves and accessories for tank filling and discharge purposes.

SPECIFICATION


- 316L stainless steel construction
- Nominal diameter 3 "
- Radiused angles
- Serrated gasket contact area

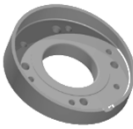
OPTIONS

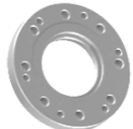
- Other diameter weld-in flanges
- Other material (carbon steel, 304L, 904L...)
- Other drilling


If you require a gasket or bolting kit for a specific valve, please refer to the installation sheet of that valve

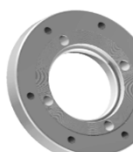
Part Number:	PN16 ND80 - Siphon tube provision
11 90 36 00 00	
	Tank type T1 to T19 Internal - external diameter 94 mm - 200 mm Thickness 27 mm
Siphon tube 12 92 18 10 00 11 90 92 00 00	Drilling 6 x M12 x 168 PCD and 4 x M16 x 160 PCD
Seal (CNAF/PTFE)	11 90 92 00 00

Part Number:	3" ANSI serie 150 & PN16 ND80 - Siphon tube provision
11 90 37 00 00	
	Tank type T1 to T19 Internal - external diameter 94 mm - 200 mm Thickness 27 mm
Siphon tube & seal 12 92 18 10 00 12 91 40 00 00	Drilling 8 x M16 x 160 PCD and 4 x M16 x 152.4 PCD
Seal (CNAF/PTFE)	12 92 85 00 00

Part Number:	PN 16 ND80 Recessed
11 90 98 00 00	
	Tank type T1 to T19 Internal - external diameter 94 mm - 217 mm Thickness min. 31 mm - max 57 mm
Siphon tube & seal 12 92 18 10 00 11 90 92 00 00	Drilling 6 x M12 x 168 PCD and 4 x M16 x 160 PCD
Seal (CNAF/PTFE)	11 90 92 00 00

Part Number:	PN16 ND80 - Siphon tube provision
11 91 98 00 00	
	Tank type T1 to T19 Internal - external diameter 94 mm - 200 mm Thickness 27 mm
Siphon tube & seal 17 12 16 00 15 12 92 08 00 03	Drilling 6 x M12 x 168 PCD and 8 x M16 x 160 PCD
Seal (CNAF/PTFE)	11 90 92 00 00

Part Number:	Siphon tube provision low profile
12 92 08 00 01	
	Tank type T1 to T19 Internal - external diameter 95 mm - 200 mm Thickness 27 mm
Siphon tube & seal 17 12 16 00 15 12 92 08 00 03	Drilling 6 x M12 x 168 PCD
Seal (CNAF/PTFE)	11 90 92 00 00

Part Number:	PN 16 Siphon tube provision
17 12 16 00 01	
	Tank type T1 to T19 Internal - external diameter 94 mm - 200 mm Thickness 27 mm
Siphon tube & seal 17 12 16 00 15 12 92 08 00 03	Drilling 6 x M12 x 168 PCD and 4 x M16 x 125 PCD
Seal (CNAF/PTFE)	11 90 92 00 00

Due to our policy of continuous product improvement, specifications may change without notice - Specification sheet PWA ND80 WELD-IN FLANGE A

It is the customer's responsibility to check the compatibility between valves material and transported product.


PEROLO SAS, 69 Rue des Maçons, 33390 Blaye, FRANCE -Phone : + 33 (0)5 5742 67 00 - Email : sales@perolo.com

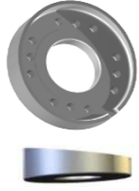


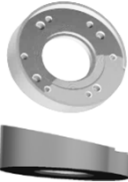
ND 80 Tank top weld-in flanges

Accessories

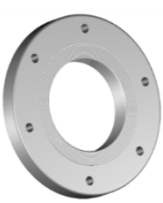
Weld-in Flanges - Top Tank

Part Number:	PN 16
11 91 87 00 00	Siphon tube provision
	Tank type T1 to T19
	Internal - external diameter 95 mm - 200 mm
	Thickness 27 mm
Siphon tube	Drilling
17 12 16 00 15	6 x M12 x 168 PCD and
12 92 08 00 03	4 x M16 x 160 PCD
Seal (CNAF/PTFE)	11 90 92 00 00

Part Number:	PN16
11 90 99 00 00	3" ANSI serie 150 Recessed & Siphon tube provision
	Tank type T1 to T19
	Internal - external diameter 94 mm - 216 mm
	Thickness min. 31 mm - max 56 mm
Siphon tube & seal	Drilling
17 12 16 00 15	4 x M16 x 152.4 PCD and
12 92 08 00 03	8 x M16 x 160 PCD
Seal (CNAF/PTFE)	12 91 40 00 00

Part Number:	PN 16
11 90 76 00 00	Recessed & Siphon tube provision
	Tank type T1 to T19
	Internal - external diameter 94 mm - 217 mm
	Thickness min. 31 mm - max 56 mm
Siphon tube & seal	Drilling
17 12 16 00 15	6 x M12 x 168 PCD and
12 92 08 00 03	4 x M16 x 160 PCD
Seal (CNAF/PTFE)	11 90 92 00 00

Part Number:	PN16 ND80
11 94 07 00 00	
	Tank type T1 to T19
	Internal - external diameter 101,6 mm - 200 mm
	Thickness 27 mm
	Drilling
	6 x M12 x 168 PCD &
	4 x M16 x 160 PCD
Seal (CNAF/PTFE)	11 97 21 00 00

Part Number:	ND100 Int diameter
11 90 60 00 00	
	Tank type T1 to T19
	Internal - external diameter 101,6 mm - 200 mm
	Thickness 27 mm
	Drilling 6 x M12 x 168 PCD
Seal (CNAF/PTFE)	11 97 21 00 00

Part Number:	PN16 ND80
11 94 21 00 00	
	Tank type T1 to T19
	Internal - external diameter 100 mm - 217 mm
	Thickness min. 27 mm - max 58 mm
	Drilling
	4 x M16 x 160 PCD &
	6 x M12 x 168 PCD
Seal (CNAF/PTFE)	11 97 21 00 00

Part Number:	PN16 ND80 & ND50 - Siphon tube provision
11 92 56 00 00	
	Tank type T1 to T19
	Internal - external diameter 94 mm - 200 mm
	Thickness 27 mm
Siphon tube & seal	Drilling: 6 x M12 x 168 PCD
17 12 16 00 15	4 x M16 x 160 PCD
12 92 08 00 03	4 x M16 x 125 PCD
Seal (CNAF/PTFE)	11 90 92 00 00

