

Perolo 316L stainless steel weld-in flanges are designed to be welded on top of tank containers, IBCs, road tankers, rail tank cars and storage tanks in order to fit valves and accessories for tank filling and discharge purposes.


**SPECIFICATION**


- 316L stainless steel construction
- Nominal diameter 3 "
- Radiused angles
- Serrated gasket contact area

**If you require a gasket or bolting kit for a specific valve, please refer to the installation sheet of that valve**

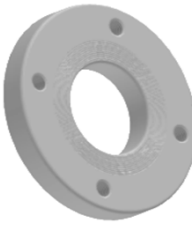
**OPTIONS**

- Other diameter weld-in flanges
- Other material (carbon steel, 304L, 904L...)
- Other drilling


Part Number: 12 91 14 00 00	2 1/2" BSP internal thread
	Tank type T1 to T20
	Internal - external diameter <b>2 1/2" BSP thread -127 mm</b>
	Thickness <b>25 mm</b>
	Drilling <b>6 x M10 x 105 PCD</b>
Seal (CNAF/PTFE)	11 90 92 00 00

Part Number: 12 92 14 00 00	Recessed
	Tank type T1 to T19
	Internal - external diameter <b>2 1/2" BSP thread -167 mm</b>
	Thickness <b>min. 24 mm - max 61 mm</b>
	Drilling <b>6 x M10 x 105 PCD</b>
Seal (CNAF/PTFE)	11 90 92 00 00

Part Number: 12 92 03 00 00	ISO PN16 ND65
	Tank type T1 to T19
	Internal - external diameter <b>82 mm-190 mm</b>
	Thickness <b>27 mm</b>
	Drilling <b>4 x M16 x 145 PCD</b>
Seal (CNAF/PTFE)	12 92 04 00 00

Part Number: 11 90 15 00 00	3" ANSI Serie 150
	Tank type T1 to T19
	Internal - external diameter <b>82 mm-190 mm</b>
	Thickness <b>27 mm</b>
	Drilling <b>4 x M16 x 152,4 PCD</b>
Seal (CNAF/PTFE)	12 92 04 00 00

Part Number: 11 90 63 00 00	ISO PN16 ND65 - Recessed
	Tank type T1 to T19
	Internal - external diameter <b>82 mm - 217 mm</b>
	Thickness <b>min. 31 mm - max 65 mm</b>
	Drilling <b>4 x M16 x 145 PCD</b>
Seal (CNAF/PTFE)	12 92 04 00 00

Part Number: 11 93 28 00 00	3" ANSI serie 150
	Tank type T1 to T19
	Internal - external diameter <b>82 mm-190 mm</b>
	Thickness <b>55 mm</b>
	Drilling <b>4 x M16 x 152,4 PCD</b>
Seal (CNAF/PTFE)	12 92 04 00 00

