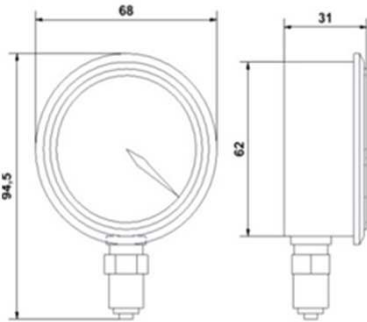




Perolo ND63 glycerin filled dial pressure gauges are designed to be fitted on tank containers, IBC's, road tankers or ralk tank cars in order to measure and indicate existing pressure.



SPECIFICATION

- Stainless steel body
- Dual pressure scale, bar & psi
- Glycerin filled unless specified otherwise
- Aluminum pointer
- Nominal external diameter 63mm / 2.5"
- Accuracy class 2.5
- Pressure connection 1/4" BSP

OPTIONS



bottom connection



back connection

- 1/4" NPT pressure connection
- Other pressure scales
- Stainless steel or brass internal parts depending on model
- Bottom or back pressure connection
- Tell tale
- Best Seller: 70 18 06 00 95

Pressure Bar	Pressure PSI	Internals & case	Connection	Glycerin	Tell tale	Part Number
0 to 4	0 to 60	brass with st st case	bottom	✓	-	70 21 02 00 66
0 to 6	0 to 90	brass with st st case	bottom	✓	-	70 21 02 00 22
0 to 6	0 to 90	full stainless steel	bottom	✓	-	70 18 06 00 95
0 to 6	0 to 90	full stainless steel	bottom	✓	✓	70 21 02 00 30
0 to 6	0 to 90	full stainless steel	bottom	-	✓	70 21 02 00 51
0 to 7	0 to 100	brass with st st case	bottom	✓	-	70 21 02 00 40
0 to 7	0 to 100	full stainless steel	bottom	✓	-	70 21 02 00 58
0 to 7	0 to 100	brass with st st case	bottom	✓	✓	70 21 02 00 35
0 to 9	0 to 130	full stainless steel	bottom	✓	-	70 21 02 00 44
-1 to 9	-14 to 130	brass with st st case	bottom	✓	-	70 21 02 00 23
-1 to 9	-14 to 130	full stainless steel	bottom	✓	✓	70 21 02 00 25
-1 to 9	-14 to 130	full stainless steel	bottom	-	✓	70 21 02 00 49
0 to 10	0 to 145	brass with st st case	bottom	✓	-	70 21 02 00 29
0 to 10	0 to 145	full stainless steel	bottom	✓	-	70 21 02 00 24
0 to 10	0 to 145	full stainless steel	bottom	✓	✓	70 21 02 00 47
0 to 10	0 to 145	full stainless steel	bottom	-	✓	70 21 02 00 32
0 to 16	0 to 232	full stainless steel	bottom	✓	-	70 21 02 00 34
0 to 40	0 to 580	full stainless steel	back	✓	-	70 21 02 00 28
0 to 40	0 to 580	full stainless steel	bottom	✓	-	70 21 02 00 61
0 to 40	0 to 580	full stainless steel	bottom	✓	-	70 21 02 00 37

