



The 3" TANKFLY flanged butterfly valve is designed to be used as a fluid inlet/outlet valve - with a compact design this product offers an easy opening/closing with a 1/4 turn locable handling operation.

SPECIFICATION

Nominal diameter	80 mm (3")
Weight	7.0 Kg
Inlet flange	6 x Ø14 x 168 PCD / 4 x Ø18 x 160 PCD
Outlet flange	4 slots x Ø18 on a 146 PCD*
Working Pressure	7 Bar
Test Pressure	10.5 Bar
Working Temperature	STD:-40° to +150°C/ HT°:-40° to 250°C
Design Temperature	-40° to +190°C/ +250°C for HT

CONFORMITY, CERTIFICATION & APPROVAL

Comply with ADR / IMDG / RID / EN14432
 Approved by Bureau Veritas - TÜV - RMR

ACCESSORIES

Blind Flange	11 90 41 00 00
Weld-in flange	11 90 36 00 00
Recess flange	11 90 98 00 00
Gasket	12 91 40 00 00
Screw kit	12 91 61 92 00
Pivot pin	12 91 52 00 00
Remote control	RMT83

STANDARD FEATURES

Made of (material)	316L / 1.4409 stainless steel
Compact Design	Face to face 52,5 mm
Operation	Handle - 1/4 turn with Locking
Closure plate seal	PTFE

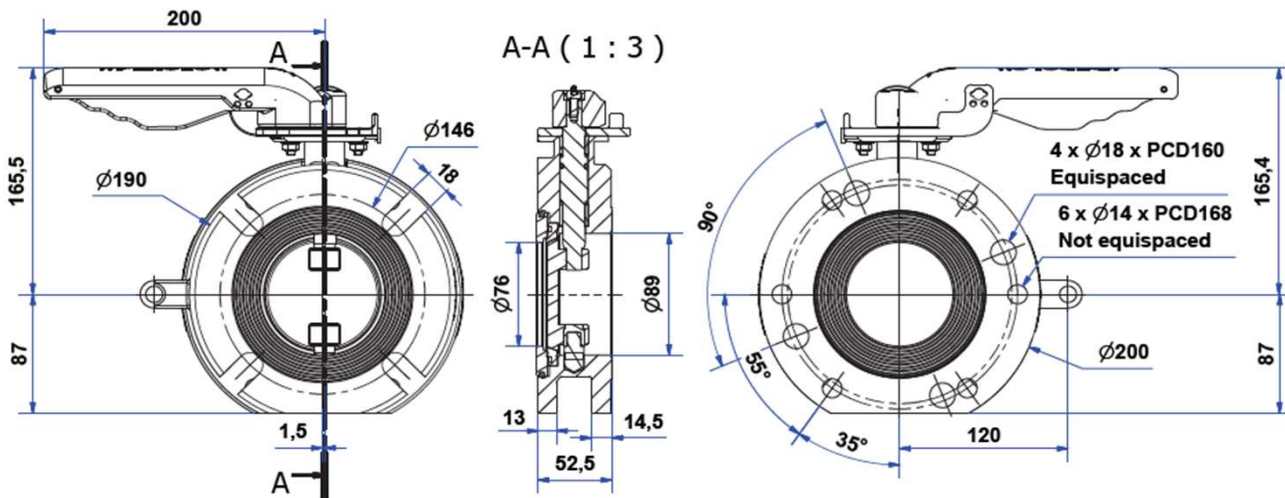
*for more drilling options please check specification sheet of TF8

CODIFICATION

3" TANKFLY flanged butterfly valve, PTFE gasket
 Inlet flange drilling: 6 x Ø14 on a 168 PCD & 4 x Ø18 on a 160 PCD
 Outlet flange drilling: 4 slots x Ø18 on a min 146 PCD

11 12 31 00 00 D

DIMENSIONAL DRAWING



BUTTERFLY VALVE