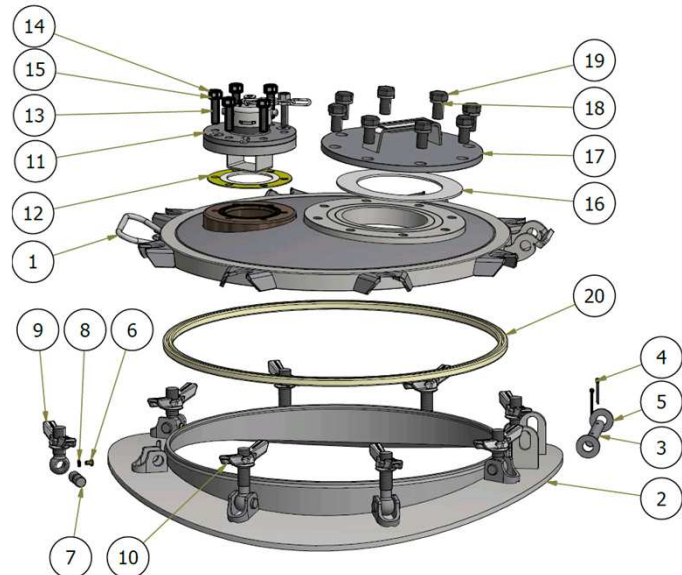


## INSTALLATION

1. Carefully weld the neckring on the tank avoiding neckring seal to face distortion ( max allowed flatness distortion 1 mm)
2. Check the neckring is clean
3. When tightening bolts are delivered separately check the stop washer is installed under the screw head on every bolt.

## MAINTENANCE

ITEM	QTY	DESIGNATION	PART N°
<b>Coverlid, Neckring &amp; seal*</b>			
2	1	ND500 8 points Neckring R1100mm	VS54D88A0G1100S
1	1	ND500 Peroxide Coverlid	11 15 77 10 00
20	1	Coverlid Seal 14x14 (PTFE/EPDM)	11 13 75 00 19
<b>Hinge pin kit</b>			
3	1	Hinge pin axis, AISI 303	12 13 68 91 00
5	2	M16 washer, AISI 303	
4	2	V4-28 split pin, AISI 303	
<b>58mm Swingbolt assembly</b>			
9	1	58 mm eye bolt & wing nut st st	11 13 92 94 00
7	2	Pivot pin, 304L	
8,6	2	M6x8 TBHC screw & M6 washer 304	
<b>83mm Swingbolt assembly</b>			
10	1	83 mm eye bolt & wing nut st st	12 13 68 93 00
7	2	Pivot pin, 304L	
8,6	2	M6x8 TBHC screw & M6 washer 304	
<b>Complete 8 points bolting kit</b>			
-	1	hinge pin kit	11 15 18 98 00
-	4	58 mm eye bolt assembly	
-	4	83 mm eye bolt assembly	
<b>ND50 H2O2 breather assembly</b>			
11	1	H2O2 breather	11 15 13 00 00
14 15 13	1	Stud bolts, nuts & W10 grower washers	11 91 35 91 00
12	1	H2O2 breather gasket PTFE	11 15 13 00 04
<b>Blind flange assembly</b>			
17	1	Blind flange / Cover, 316L	12 13 80 40 00
18,19	8	M16-30 screw & washers, 304	12 91 72 00 00
16	1	Blind flange gasket, PTFE	12 13 80 00 09



\*for other seal material, please contact our sales department