

# 3" (ND80) NEATCO MKII

Footvalve  
 NT3



3" NEATCO MKII 45° or 30° footvalve - designed to be fitted at the bottom of tank containers - no retention, better flow performance - more robust but no heavier - new stuffing box fastening - conical poppet - overall external dimensions reduced allowing more rear cabinet clearances.

SPECIFICATION	
Nominal diameter	80 mm (3")
Weight	7.2 Kg
Inlet flange	8 holes x Ø14 on a PCD178
Outlet flange	4 holes x Ø18 on a PCD160*
Working pressure	4 Bar
Test pressure	6 Bar
Working temperature	-40° to +190°C
Design temperature	-40° to +200°C

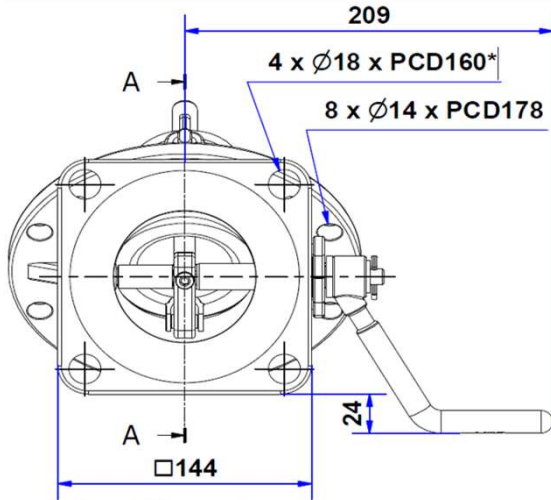
NB: temperature range vary according to o'ring material

CONFORMITY, CERTIFICATION & APPROVAL
ADR / IMDG / RID / EN14433
Approved by : Bureau Veritas - RMR

STANDARD FEATURES (See Codification for option)	
Made of (material)	316L / 1.4409 stainless steel
Body length	115mm (or 97mm but only for 30°)
Body length	115mm (or 97mm but only for 30°)
O'rings material	FEP/Silicone
Seals material	PTFE
Operating	Side operated handle
Footvalve spring	Inside the tank

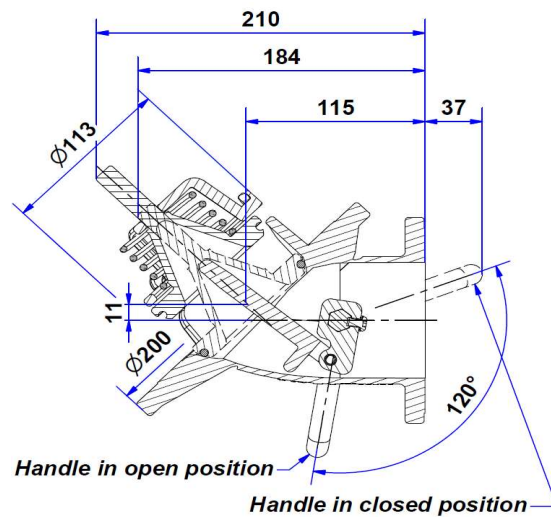
ACCESSORIES	
45° weld-in flange	11 90 59 00 00
30° weld-in flange	11 91 16 00 00
Flange gasket	12 91 20 00 00
Screw kit	12 91 61 94 00

## DIMENSIONAL DRAWING



\*other drilling options on request

drawing of 45° footvalve, for drawing of 30° footvalve please contact our sales department



**BOTTOM DISCHARGE**

## CODIFICATION

### STANDARD PART NUMBER

NT3 4 115 A 1 . . .

### YOUR PART NUMBER

NT3

#### OUTLET ANGLE

45°	4
30°	3

#### BODY LENGTH

115 mm	115
97mm (only for 30° model)	97

#### INLET FLANGE

8 x Ø14 x 178 PCD ( only 45°)	A
8 x Ø14 & 4 x Ø18 x 178 PCD (30°)	B

#### OUTLET FLANGE - others on request

Square, equidist. 4 x Ø18 x160PCD	1
Round, equidist. 4 x Ø18 x160PCD	2
Square, equidist. 4 x M16 x160PCD	3
Round, non-equid. 6 x Ø18 x168PCD	5
Round, non-equid. 6 x Ø14 x168PCD	6

#### SEAT OPTIONS

Stainless st 316L / 1.4409 seat	.
Hastelloy C276 coated seat	Q

#### STEAM HEATING

Without	.
With steam heating	V

#### HANDLE

Standard handle	.
Short handle	C



**BOTTOM DISCHARGE**