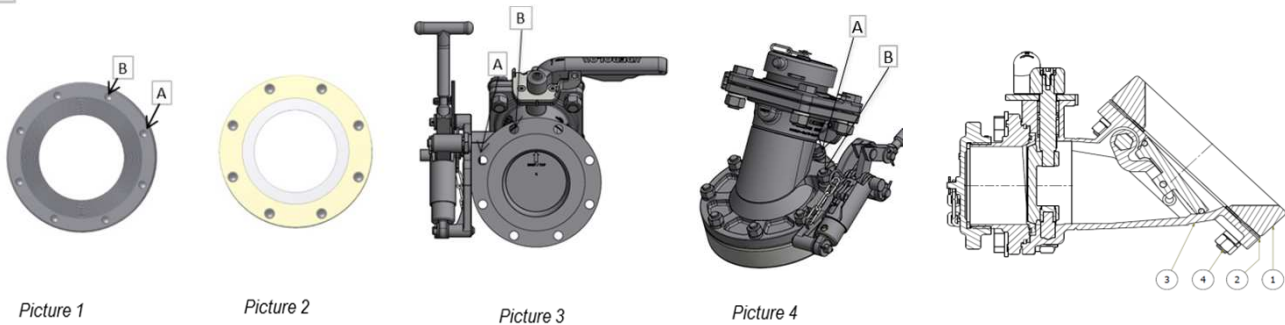


INSTALLATION

Ensure that the Inlet (tank side) flange and gasket are clean; free from dirt and grit.

1. Screw the studs into the tank container flange. Take careful note of the position of the studs (picture 1).
2. Fit the PTFE gasket (picture 2).
3. Fit the TWINFLOW MKIV Footvalve in position (picture 3).
4. Tighten the studs and nuts torque of 50 N.m. +/-5. For more details please refer to PWAGEN001

- A** Stud M12 63/33 with standard nuts
B Stud M12 48/30 with thin nut



Picture 1

Picture 2

Picture 3

Picture 4

45° INSTALLATION			
ITEM	DESCRIPTION	SPECIFICATION	PART N°
3	3" TWINFLOW 45° MK IV	3" 45° footvalve, inlet flange 8x14xPCD178 3" BSP Outlet	VTXS34CW
4	Stud kit	6x M12 - 52 studs, 1x M12 - 66 stud 1x M12 80 stud, 8x grower washers, 7xM12 standard nuts, 1x thin nut	11 11 27 93 00
2	Inlet Gasket	ext ø 200 mm, int ø 114 mm, 8 x Ø14 x PCD 178, CNAF / PTFE	12 91 20 00 00
1	Weld-in flange	ext ø 200 mm, int ø 114.3 mm, thickness 35 mm, 8 x M12 x PCD 178, 316L stainless steel 316/316L	11 90 59 00 00

30° INSTALLATION			
ITEM	DESCRIPTION	SPECIFICATION	PART N°
3	3" TWINFLOW 30° MK IV	3" 30° footvalve, inlet flange 8x14xPCD178 3" BSP Outlet	VTXS33CW
4	Stud kit	6x M12 - 52 studs, 1x M12 - 66 stud 1x M12 80 stud, 8x grower washers, 7xM12 standard nuts, 1x thin nut	11 11 27 93 00
2	Inlet Gasket	ext ø 200 mm, int ø 114 mm, 8 x Ø14 x PCD 178, CNAF / PTFE	12 91 20 00 00
1	Weld-in flange	ext ø 200 mm, int ø 114.3 mm, thickness 35 mm, 8 x M12 x PCD 178, 316L stainless steel	11 91 16 00 00